


MOTO GUZZI®

SPARE PARTS CATALOGUE



V7 III Rough 750 E4 ABS 2018 (EMEA LATAM)

Chassis prefix: ZGULDM00

Engine prefix:

Index

Finished products.....	4
Alphanumeric index.....	5
Frame.....	10
Table 01.010 - Frame.....	10
Table 01.020 - Foot rests.....	11
Table 01.030 - Central stand.....	12
Table 01.050 - Swing arm.....	13
Body.....	14
Table 02.030 - Front mudguard-Pillar.....	14
Table 02.100 - Central body.....	15
Table 02.120 - Saddle.....	16
Table 02.140 - Rear body.....	17
Table 02.150 - Rear mudguard.....	18
Table 02.170 - Locks.....	19
Table 02.180 - Plate set / Various.....	20
Table 02.190 - Decal.....	21
Engine.....	22
Table 03.010 - Engine-Completing part-Lever.....	22
Table 03.020 - Gear lever.....	23
Table 03.030 - Crankcases I.....	24
Table 03.050 - Air box.....	25
Table 03.060 - Throttle body.....	26
Table 03.090 - Head cover.....	27
Table 03.100 - Cylinder head - valves.....	28
Table 03.120 - Timing system.....	29
Table 03.150 - Cylinder - Piston.....	31
Table 03.160 - Drive shaft.....	32
Table 03.170 - Gear box / Selector / Shift cam.....	33
Table 03.180 - Gear box - Gear assembly.....	35
Table 03.190 - Lubrication.....	37
Table 03.196 - Blow-by system.....	38
Table 03.230 - Clutch.....	39
Table 03.270 - Flywheel cover.....	41
Table 03.290 - Starter / Electric starter.....	42
Table 03.300 - Cdi magneto assy / Ignition unit.....	43
Table 03.320 - Secondary air.....	44
Table 03.330 - Exhaust pipe.....	45
Table 03.340 - Transmission complete.....	47
Table 03.350 - Rear transmission / Components.....	48
Suspensions.....	51
Table 04.060 - Front fork Kaifa.....	51
Table 04.080 - Shock absorber.....	52
Wheels.....	53

Table 05.010 - Front wheel.....	53
Table 05.020 - Rear wheel.....	54
Brake system.....	55
Table 06.010 - Front master cilinder.....	55
Table 06.020 - Front brake caliper.....	56
Table 06.030 - Rear master cylinder.....	57
Table 06.040 - Rear brake caliper.....	58
Table 06.050 - ABS Brake system.....	59
Handlebar - Controls.....	60
Table 07.010 - Steering.....	60
Table 07.020 - Handlebar - Controls.....	61
Table 07.030 - Clutch control.....	62
Lights - Instruments.....	63
Table 08.010 - Front lights.....	63
Table 08.020 - Instruments.....	64
Table 08.030 - Rear lights.....	65
Tank.....	66
Table 09.010 - Fuel tank.....	66
Table 09.020 - Fuel vapour recover system.....	67
Electrical systems.....	68
Table 11.010 - Front electrical system.....	68
Table 11.020 - Central electrical system.....	69
Table 11.030 - Rear electrical system.....	70

Finished products

Code	Validity
GU9032125ECJ01	
GU9032125EUJ01	
GU9032125GBJ01	
GU9K32125ECJ01	
GU9K32125EUJ01	
GU9K32125GBJ01	

Code	No. table	Pos.
006630	03.270	8
013763	03.190	14
030072	02.140	10
080341	11.020	19
1A000360	03.180	7
1A000365	03.180	16
1A000366	03.180	22
1A000367	03.180	27
1A000368	03.180	28
1A000369	03.180	29
1A000370	03.180	25
1A000436	03.180	10
1A000566	03.180	4
1A002604	03.180	24
1A002604	03.180	9
1A003444	11.020	14
1A003452	03.100	5
1A003632R	03.100	3
1A004036	03.160	1
1A004442	03.190	15
1A004530	03.030	10
1A004549	03.190	11
1A004550	03.030	1
1A004750	03.100	8
1A004751	03.100	4
1A004752	03.100	6
1A004903	03.120	13
1A004905	03.120	12
1A004907	03.120	14
1A004956	03.150	5
1A005199	03.190	3
1A005211	03.030	2
1A005257	03.190	13
1A005382	11.020	5
1A005424	03.100	2
1A005425	03.100	9
1A005712	03.120	1
1A0057145	03.120	24
1A005951	03.120	7
1A005955	03.120	19
1A006047	03.030	4
1A006053	03.190	27
1A006119	03.120	22
1A006127	03.120	23
1A006243	03.120	21
1A006283	03.030	17
1A006284	03.030	18
1A006298	03.270	4
1A006541	03.100	1
1A006542	03.100	1
1A006543	03.100	1
1A0065490G	03.150	7
1A0065490H	03.150	7
1A0065490L	03.150	7
1A0065490M	03.150	7
1A006655	03.030	8
1A006656	03.030	7
1A006659	03.100	12
1A0066680G	03.160	3
1A0066680N	03.160	3
1A0066680V	03.160	3
1A0066690G	03.160	2
1A0066690N	03.160	2
1A0066690V	03.160	2
1A006716	03.090	4
1A006860	03.030	19
1A006861	03.120	16

Code	No. table	Pos.
1A0069335	03.030	21
1A007008	03.190	22
1A007070	03.150	2
1A0073175	03.010	1
1A0076305	03.100	10
1A0076315	03.100	11
1A008576	03.120	25
1A008627	03.230	12
1A008882	03.090	3
1A0090945	03.150	1
1A009346	03.120	2
1A009679	03.120	4
1A0101245	03.120	3
1A010177	03.120	1
1A010701	03.120	1
1A010730	03.120	6
1A011206	03.030	21
1A014685	03.230	13
1A014844	03.190	10
1A015041	03.120	10
1C001499	01.030	9
1C001499	05.020	19
1C001499	11.010	4
1D001393	03.060	2
1D001450	09.010	7
1D001549	11.010	7
1R000319	11.030	9
237553	03.190	12
254485	03.330	16
270793	08.020	11
270793	08.020	9
285536	03.170	3
285536	03.190	24
292022	08.010	3
292723	08.010	2
2A000097	03.170	41
2A000115	03.300	5
2A000129	03.300	4
2A000203	03.180	20
2A000216	03.230	8
2A000219	03.170	12
2A000222	03.170	38
2A000224	03.170	20
2A000225	03.170	23
2A000226	03.170	21
2A000227	03.170	22
2A000241	03.170	28
2A000241	03.180	32
2A000306	03.170	27
2A000375	03.230	14
2A000376	03.230	16
2A000378	03.230	32
2A000382	03.350	22
2A000384	03.230	18
2A000385	03.230	19
2A000415	03.170	24
2A000418	03.230	29
2A000419	03.230	1
2A000438	03.350	10
2A000467	03.170	15
2A000496	03.120	4
2A000521	03.120	9
2A000527	03.120	27
2A000528	03.120	8
2A000565	03.090	1
2A000579	03.120	5
2A000591	03.170	37

Code	No. table	Pos.
2A000597	03.320	3
2A000608	03.060	8
2A000609	03.060	3
2A000612	03.060	7
2A000620	03.090	6
2A000625	03.180	5
2A000627	03.180	13
2A000629	03.180	30
2A000631	03.230	21
2A000633	03.190	5
2A000638	03.230	30
2A000659	03.090	2
2A000724	03.230	4
2A000741	03.230	31
2A000770	03.230	28
2A000774	03.230	6
2A000790	03.230	7
2A000823	03.170	43
2A000838	03.230	23
2A0009085	03.170	19
2A0009105	03.170	6
2A0009125	03.170	1
2B000221	11.010	3
2B000225	05.020	22
2B000276	06.050	22
2B000525	06.040	1
2B000671	07.020	8
2B000909	09.010	9
2B001009	03.020	15
2B001035	01.010	3
2B001088	01.030	2
2B001138	01.010	21
2B001182	08.010	17
2B001197	06.020	1
2B001231	08.010	16
2B001557	06.050	2
2B001558	06.050	3
2B001561	05.010	22
2B001564	06.050	14
2B001570	06.050	8
2B001591	04.060	14
2B001612	01.010	13
2B001614	06.050	15
2B001708	05.010	21
2B001748	08.030	6
2B001770	01.010	20
2B001783	02.150	14
2B001823	03.060	12
2B001930	06.010	4
2B001941	03.020	18
2B001959	01.050	9
2B002171	01.020	21
2B002187	03.330	11
2B002189	06.030	9
2B002195	07.020	12
2B002218	01.020	1
2B002219	01.020	2
2B002225	01.020	5
2B002311	01.010	7
2B002313	07.010	13
2B002318	03.350	21
2B002319	03.350	21
2B002320	03.350	21
2B002390	07.030	2
2B002391	07.030	1
2B002424	03.350	21
2B002425	03.350	21

Code	No. table	Pos.	Code	No. table	Pos.	Code	No. table	Pos.
2B002426	03.350	21	2B003606	03.020	9	2R000248	06.040	8
2B002486	09.010	6	2B003643	03.330	32	2R000315	02.150	7
2B002529	03.320	7	2B003701	05.010	2	2S000236	02.030	1
2B002530	03.320	9	2B0037025	05.020	2	2S000237	02.150	1
2B002531	03.320	8	2B003766	07.020	13	2S000251	02.150	2
2B002567	09.010	8	2B003767	07.020	17	2S000252	02.150	3
2B002602	03.196	4	2B003791	07.010	1	2S000254	02.150	13
2B002632	09.020	1	2B003809	02.170	11	2S000255	02.150	12
2B002781	11.030	8	2B003821	06.010	2	2S0002935	02.140	1
2B002810	01.010	16	2B003822	06.010	6	2S001000	02.140	2
2B002817	01.010	18	2B003832	08.010	13	478533	11.020	11
2B002832	03.050	2	2B003833	07.010	17	484993	03.030	20
2B002851	03.050	5	2B003851	08.020	3	584211	11.030	4
2B002875	07.020	2	2B0039375	05.010	1	584332	08.010	6
2B002901	11.020	12	2B0039395	05.020	1	584332	08.030	4
2B002937	02.100	10	2B003948	04.060	3	584344	03.330	4
2B002943	02.100	5	2B003952	04.060	2	598839	02.150	15
2B002959	03.050	14	2B003994	02.170	4	624995	02.030	3
2B002961	07.030	8	2B0039954	02.170	3	638733	11.030	9
2B002988	04.080	1	2B004009	02.170	5	639338	08.010	7
2B003039	06.010	5	2B004014	03.350	19	639338	08.030	5
2B003040	06.010	3	2B004031	03.330	14	641040	11.020	8
2B003042	09.020	3	2B004068	04.060	26	641901	11.020	15
2B003052	11.020	13	2B004080	07.020	6	642034	11.020	16
2B003056	06.050	13	2B004081	07.020	16	643090	03.190	16
2B003105	03.196	3	2B004135	08.020	8	658830	02.030	5
2B003147	03.330	2	2B004216	01.010	17	658830	02.150	10
2B003148	03.330	1	2B004219	01.010	22	658837	03.030	5
2B0031495	03.330	20	2B0042625	03.330	20	674927	02.140	6
2B0031505	03.330	19	2B0042635	03.330	19	680212	11.020	9
2B003151	03.330	22	2B004458	06.050	28	825694	03.100	13
2B003152	03.330	21	2B004471	06.050	23	826165	03.190	23
2B003163	01.010	1	2B004560	06.050	11	831135	03.030	11
2B003174	01.010	15	2B004963	02.140	13	832029	11.010	10
2B003189	01.020	4	2B004965	02.100	1	834764	03.170	33
2B003190	01.020	3	2B004966	02.100	2	834951	03.330	12
2B003204	03.196	2	2B004968000C1	02.120	1	840370	03.330	17
2B003250	07.010	3	2B0049715	05.010	23	843213	02.100	9
2B003250	07.020	5	2B004972	05.020	23	848650	03.180	17
2B003251	04.060	1	2B004975	07.020	21	849308	03.180	21
2B003292	07.010	15	2D000024	03.300	1	849308	03.180	6
2B003306	02.180	2	2D000102	06.050	1	849309	03.180	23
2B003320	01.030	1	2D000261	08.010	4	849310	03.180	26
2B003325	06.050	4	2D000262	08.010	5	849396	03.180	14
2B003327	06.050	5	2D0002805	06.030	14	849424	03.180	8
2B003336	06.030	3	2D0002885	07.030	9	852090	03.330	7
2B003338	06.040	3	2D0002935	08.030	1	856063	09.020	7
2B003342	08.010	11	2D000295	08.020	1	857045	03.320	2
2B003348	03.020	3	2D000306	08.020	1	857046	03.320	5
2B003367	08.020	7	2D000307	07.020	18	857047	03.320	1
2B003435	09.010	1	2D000308	07.020	9	857181	03.320	10
2B003450	02.100	4	2D000332	11.010	1	857206	03.300	3
2B003451	02.100	3	2D000332	11.020	1	857250	03.170	29
2B0034845	03.340	1	2D000332	11.030	1	859792	05.010	20
2B0034855	03.350	16	2D000351	02.170	2	859792	05.020	24
2B003486	03.350	28	2D000355	11.020	21	859946	01.020	22
2B003493	02.170	1	2D000368	08.030	2	859946	06.030	4
2B003514	04.060	25	2D000369	08.030	3	860651	03.340	9
2B003515	02.030	2	2D000434	08.010	1	871640	03.100	7
2B0035275	03.330	5	2H001443	02.190	3	873905	03.170	26
2B0035285	03.330	6	2H002591500EQ	09.010	1	873928	03.180	2
2B003533	08.020	4	2H002592	02.190	1	874567	03.150	4
2B003534	08.020	10	2H002593	02.190	2	876879	03.330	13
2B003543	06.010	1	2Q000346	02.180	1	880260	03.060	4
2B0035505	03.330	31	2R000109	04.060	7	883161	11.030	5
2B0035515	03.330	30	2R000110	04.060	23	883349	05.020	8
2B003588	08.020	6	2R000243	04.060	19	883350	05.020	7

Code	No. table	Pos.
883673	06.020	6
883688	05.010	10
883826	03.030	13
884031	04.080	4
884033	06.030	7
886365	03.030	15
886629	03.230	11
886820	02.170	12
887003	03.270	5
887093	03.190	18
887421	11.020	20
887448	05.020	12
887481	11.020	7
887762	05.010	11
887762	05.020	13
887815	03.050	8
887831	07.010	9
887832	07.010	12
887843	03.050	9
887844	03.050	12
887852	07.020	19
887853	07.020	20
887875	05.010	19
887878	04.060	4
887879	04.060	5
887882	04.060	8
887883	04.060	9
887884	04.060	10
887885	04.060	11
887886	04.060	12
887888	04.060	13
887889	04.060	15
887890	04.060	17
887891	04.060	16
887893	04.060	20
887894	04.060	22
887901	07.020	3
887902	07.020	4
887904	07.020	1
887905	04.060	18
887908	03.020	2
887908	06.030	2
887915	07.020	7
887916	04.060	21
890760	03.050	13
890760	07.010	14
894704	11.030	15
895328	03.020	5
895328	06.030	5
895709	06.050	18
896110	03.330	3
896174	02.100	8
897478	03.300	2
898268	03.270	6
898269	03.270	7
898283	03.020	11
898396	03.020	14
898397	03.020	7
967356	01.030	6
967363	03.020	25
967363	03.330	27
974162	03.180	12
974165	03.180	15
976591	03.090	5
976608	03.350	1
976614	02.100	6
97729R	03.290	1

Code	No. table	Pos.
978415	02.170	7
AP8101861	01.020	20
AP8102159	09.020	6
AP8102239	09.020	4
AP8102375	02.100	12
AP8102375	11.010	5
AP8102386	06.050	26
AP8102520	03.050	15
AP8102520	09.020	9
AP8102524	01.030	5
AP8102738	09.020	2
AP8104509	07.020	11
AP8104525	03.050	4
AP8104924	03.050	7
AP8110053	03.020	16
AP8110077	07.010	7
AP8113003	06.050	7
AP8113004	06.050	6
AP8113081	06.030	12
AP8113082	06.030	13
AP8120001	02.100	13
AP8120001	06.050	25
AP8120001	11.030	11
AP8120030	06.050	10
AP8120178	06.030	11
AP8120246	03.340	12
AP8120311	01.010	8
AP8120455	03.050	3
AP8120459	02.150	4
AP8120531	02.140	3
AP8120557	09.010	4
AP8120573	01.020	17
AP8120615	03.050	6
AP8120870	03.330	15
AP8120876	03.050	11
AP8120912	03.020	1
AP8120912	06.030	1
AP8121014	01.030	3
AP8121032	02.150	16
AP8121072	03.330	25
AP8121133	01.020	19
AP8121205	07.010	4
AP8121332	09.010	5
AP8121420	02.170	6
AP8121509	03.020	26
AP8121567	01.020	15
AP8121882	06.050	21
AP8121927	06.030	16
AP8123641	07.010	6
AP8123642	07.010	10
AP8123643	07.010	11
AP8123644	07.010	8
AP8124936	08.020	5
AP8124936	11.010	6
AP8127601	09.020	10
AP8127856	01.030	7
AP8134378	03.330	24
AP8134378	08.010	10
AP8134448	08.030	15
AP8134451	01.020	18
AP8144007	03.020	4
AP8144007	06.030	6
AP8144071	03.330	26
AP8144552	11.030	3
AP8145034	01.020	6
AP8145035	01.020	7
AP8150015	06.050	12

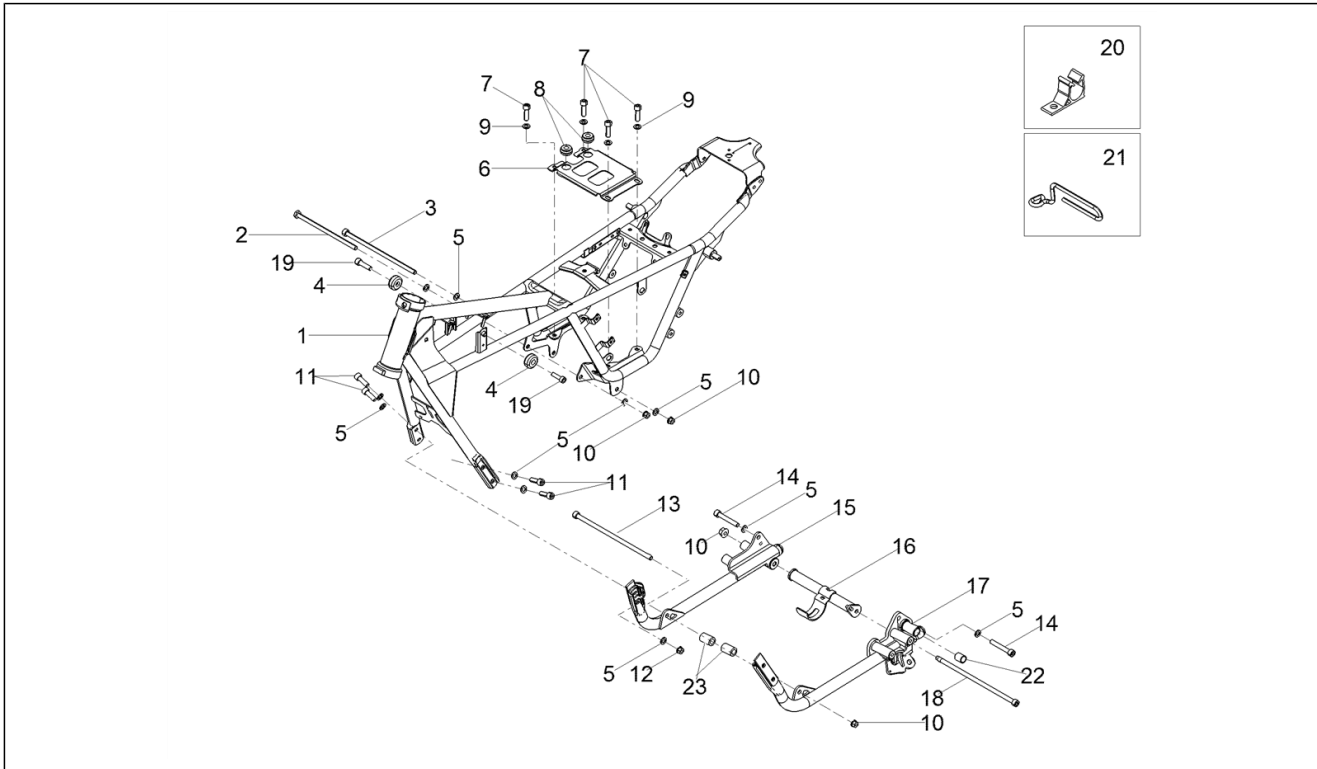
Code	No. table	Pos.
AP8150018	03.020	24
AP8150026	03.020	19
AP8150048	01.010	14
AP8150053	08.010	15
AP8150115	03.020	12
AP8150178	05.010	17
AP8150285	04.060	6
AP8150285	06.030	15
AP8150376	02.140	12
AP8150378	02.150	8
AP8150380	02.150	9
AP8150430	02.150	11
AP8150447	02.140	11
AP8150451	06.050	19
AP8150500	02.100	11
AP8150500	03.060	6
AP8150500	06.050	24
AP8150500	06.050	27
AP8150509	02.140	8
AP8150509	03.050	10
AP8150540	07.020	14
AP8150543	07.010	2
AP8152043	06.010	8
AP8152043	06.050	16
AP8152055	03.330	28
AP8152117	08.020	2
AP8152138	03.020	17
AP8152220	03.190	20
AP8152229	02.170	8
AP8152267	03.090	7
AP8152268	08.030	12
AP8152277	01.020	11
AP8152288	06.040	5
AP8152288	09.010	2
AP8152298	08.030	11
AP8152299	02.150	17
AP8152299	08.010	12
AP8152299	11.020	6
AP8152306	08.030	14
AP8152329	03.050	1
AP8152329	08.030	17
AP8152350	02.140	9
AP8152384	07.010	5
AP8152385	06.020	2
AP8161054	03.050	16
AP8181140	11.030	13
AP8210007	03.020	20
AP8213028	07.030	5
AP8213388	07.030	6
AP8221023	03.050	18
AP8221023	06.050	9
AP8221197	01.030	4
AP8221277	01.020	16
AP8224164	08.030	13
AP8224462	11.020	4
AP8225369	02.140	5
AP8702101	02.170	10
B013037	03.230	15
B013552	03.120	28
B013608	03.170	25
B013608	03.180	3
B014598	03.120	17
B015040	03.180	11
B015598	03.170	2
B016796	03.060	5
B017406	03.170	5
B018020	03.170	4

Code	No. table	Pos.	Code	No. table	Pos.	Code	No. table	Pos.
B018448	03.180	31	GU14615901	03.340	8	GU30601060	07.030	3
B043850	11.030	16	GU14616150	05.010	15	GU30602500	07.030	4
B063025	03.170	39	GU14616150	05.020	10	GU30630430	05.020	20
B063077	05.010	5	GU18144350	03.190	8	GU31003766	03.030	22
B063078	05.020	11	GU19002020	03.170	36	GU31003766	03.350	8
B063144	05.010	3	GU19002020	03.270	3	GU31159050	03.190	6
B063174	04.080	3	GU19003800	03.030	3	GU31256881	03.020	10
B063269	03.170	40	GU19015020	03.030	14	GU31327783	03.340	2
B063287	01.010	6	GU19017000	01.010	23	GU31439565	02.030	4
B063292	03.330	10	GU19018920	03.030	9	GU31544181	01.050	5
B063466	03.150	6	GU19018920	03.190	28	GU31547882	01.050	2
B063907	01.020	12	GU19021360	03.150	3	GU31610160	05.010	24
B063956	03.170	14	GU19045861	03.120	3	GU31614183	05.010	9
B064112	03.170	10	GU19055700	03.120	29	GU31615283	05.010	6
B064113	03.170	7	GU19058021	03.120	20	GU31616384	05.010	12
CM013202	11.030	14	GU19058220	03.120	11	GU31634281	06.040	4
CM179008	09.020	5	GU19067700	03.230	2	GU31634481	05.020	15
CM179302	11.030	6	GU19327601	03.340	3	GU31659181	06.040	7
CM225705	11.030	18	GU19328801	03.340	5	GU31659281	06.040	6
CM225715	11.030	19	GU19351100	03.350	4	GU32350410	03.350	13
CM225720	11.030	2	GU19351900	03.350	2	GU32354610	03.350	18
CM225730	11.030	20	GU19352300	03.350	23	GU32441210	01.020	10
CM226902	03.196	1	GU19353500	03.350	24	GU32442310	01.020	8
CM226902	03.320	6	GU19355200	03.350	35	GU32442710	01.020	9
CM228401	01.020	14	GU19355202	03.350	36	GU32461610	02.120	2
CM258301	03.060	11	GU19355300	03.350	33	GU32555210	04.080	5
CM258301	03.060	13	GU19355301	03.350	33	GU32555211	04.080	2
CM258303	03.050	17	GU19355302	03.350	33	GU32603010	07.020	15
CM275405	03.060	1	GU19355303	03.350	33	GU32603310	07.020	10
CM277101	11.020	17	GU19355304	03.350	33	GU32615660	05.010	14
CM277102	11.020	18	GU19355305	03.350	33	GU32632510	05.020	17
GU01528930	03.170	44	GU19355306	03.350	33	GU32633360	05.020	14
GU01528930	03.350	9	GU19355307	03.350	33	GU32633560	03.350	11
GU01577830	02.100	7	GU19355308	03.350	33	GU32634160	06.040	2
GU01659130	06.020	5	GU19355309	03.350	33	GU32636160	05.020	21
GU01659131	06.020	4	GU19355320	03.350	27	GU32753410	08.010	14
GU03013800	03.020	22	GU19355321	03.350	27	GU32753410	08.030	16
GU03013800	03.060	10	GU19355322	03.350	27	GU35214300	01.050	4
GU03612040	05.010	16	GU19355323	03.350	27	GU49609601	08.020	12
GU03631250	05.010	4	GU19355324	03.350	27	GU49609601	11.020	2
GU03631250	05.020	9	GU19355325	03.350	27	GU61270300	03.350	26
GU03658201	06.050	20	GU19355326	03.350	27	GU66103415	01.010	4
GU03658330	06.050	17	GU19355327	03.350	27	GU90271014	03.170	17
GU03749845	06.010	7	GU19355328	03.350	27	GU90271022	03.170	32
GU05217630	03.230	26	GU19355329	03.350	27	GU90272023	03.340	13
GU05234230	03.170	9	GU19355400	03.350	21	GU90353014	03.170	8
GU05234631	03.170	31	GU19355402	03.350	21	GU90353029	03.120	30
GU05235531	03.170	30	GU19355404	03.350	21	GU90353030	03.350	17
GU05238231	03.170	13	GU19355406	03.350	21	GU90401424	03.170	18
GU05238431	03.170	11	GU19355408	03.350	21	GU90402538	05.020	6
GU05239330	03.170	16	GU19355410	03.350	21	GU90402642	05.010	8
GU05659230	06.020	3	GU19355411	03.350	21	GU90403251	03.350	38
GU05781630	04.060	24	GU19355412	03.350	21	GU90403549	03.350	3
GU06418600	11.030	10	GU19355413	03.350	21	GU90407591	03.350	15
GU10034100	03.120	15	GU19356700	03.350	30	GU90412541	03.180	18
GU10528900	03.030	23	GU19357660	03.350	25	GU90706141	11.010	11
GU12022600	03.170	35	GU19547000	01.050	1	GU90706170	03.230	27
GU12022600	03.350	6	GU20147710	03.190	21	GU90706188	03.350	29
GU12154200	03.190	2	GU20258221	03.020	23	GU90706203	03.170	34
GU14085900	03.230	25	GU20352421	03.350	31	GU90706203	03.350	7
GU14086100	03.230	17	GU20355121	03.350	34	GU90706235	03.230	10
GU14217901	03.230	5	GU23328081	03.340	10	GU90706281	03.030	25
GU14609650	11.010	9	GU23548080	03.340	11	GU90706444	03.190	4
GU14609650	11.020	3	GU23548180	03.340	6	GU90706584	03.350	37
GU14609650	11.030	17	GU27152885	03.190	1	GU91113826	03.330	18
GU14615901	03.230	3	GU27633910	05.020	4	GU91551010	03.050	19
GU14615901	03.330	9	GU28612033	05.020	18	GU92201070	03.350	14

Code	No. table	Pos.
GU92201226	03.180	19
GU92201226	03.230	9
GU92201822	03.180	1
GU92204217	05.020	5
GU92204218	05.020	3
GU92204221	05.010	7
GU92249220	03.350	32
GU92249227	03.350	20
GU92252235	03.350	5
GU92296723	03.190	25
GU92602510	03.190	19
GU92606206	03.020	8
GU92606206	06.030	10
GU92606208	03.030	6
GU92606210	01.050	6
GU92606316	05.020	16
GU92606508	03.230	24
GU92630206	06.030	8
GU92630207	05.010	18
GU92630510	01.010	10
GU92630510	01.010	12
GU92630510	04.080	6
GU92660021	03.330	8
GU92787006	08.030	10
GU93180105	01.050	3
GU93180111	05.010	13
GU93180220	03.170	42
GU93232005	02.140	4
GU93304360	09.020	8
GU93304390	11.010	8
GU93304390	11.030	12
GU93450224	08.030	7
GU94321079	03.190	9
GU94321099	03.340	4
GU94321105	03.230	22
GU95005304	11.020	10
GU95005306	08.030	9
GU95005308	03.340	7
GU95005312	09.010	3
GU95008206	03.190	7
GU95008208	03.290	2
GU95008210	01.010	5
GU95008210	01.010	9
GU95008210	01.050	7
GU95008308	03.330	29
GU95020105	01.030	8
GU95100059	11.030	7
GU95100309	03.190	17
GU95100602	03.190	26
GU95129115	03.120	18
GU95129181	04.080	7
GU95129260	03.020	27
GU95500222	03.230	20
GU96451430	03.030	12
GU96508055	03.030	16
GU96508055	03.350	12
GU97202325	07.030	7
GU98110199	01.010	2
GU98210616	07.010	16
GU98230512	02.150	6
GU98370516	02.140	7
GU98370621	02.150	5
GU98370655	08.030	8
GU98612216	03.320	4
GU98622322	03.060	9
GU98632322	03.020	21
GU98680445	01.020	13

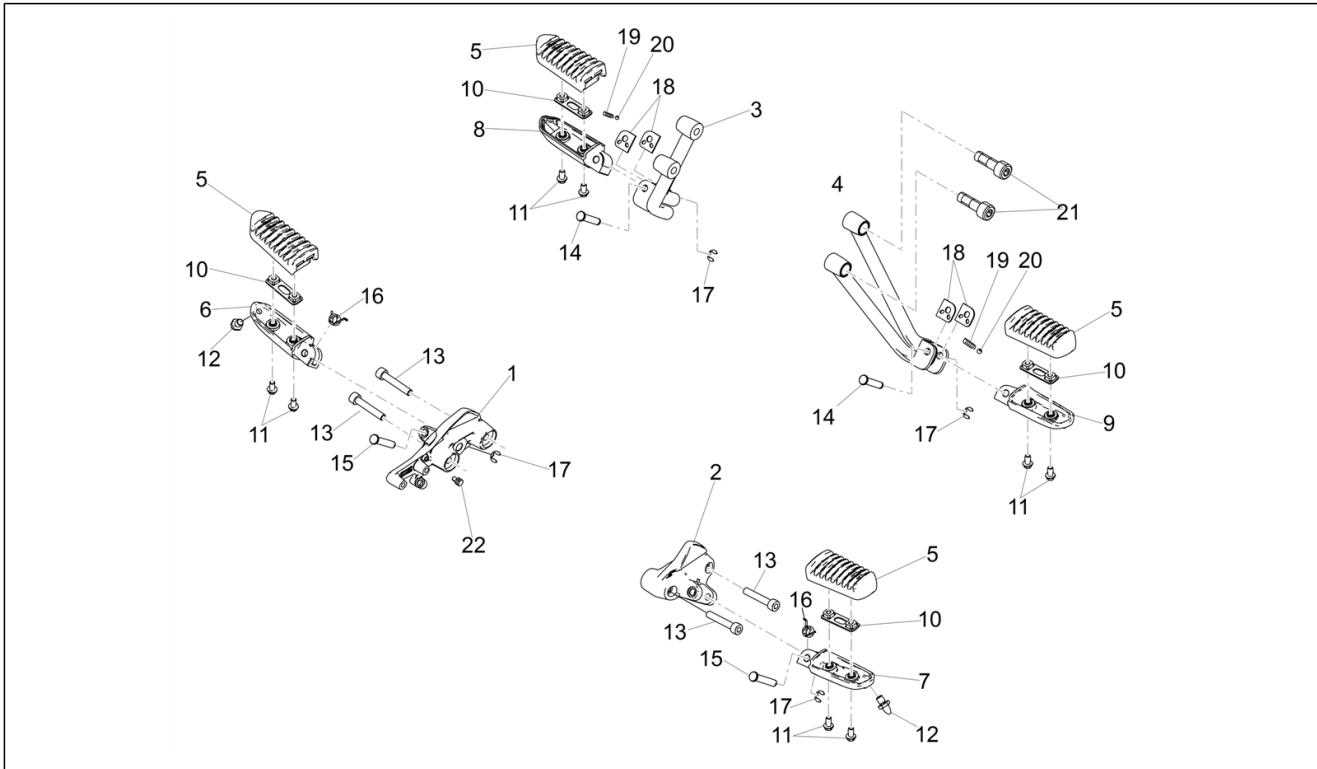
Code	No. table	Pos.
GU98680460	03.020	6
GU98680545	01.050	8
GU98682212	03.300	6
GU98682314	11.010	2
GU98682325	03.030	24
GU98682325	03.270	1
GU98682330	03.270	2
GU98682416	02.170	9
GU98682435	03.290	3
GU98682530	01.010	11
GU98690435	08.010	8
GU98690440	03.330	23
GU98690445	08.010	9
GU98692318	03.020	13
GU98882316	03.120	26
GU98882416	01.010	19

Group	Frame
Code	01.010
Description	Frame
Service	1



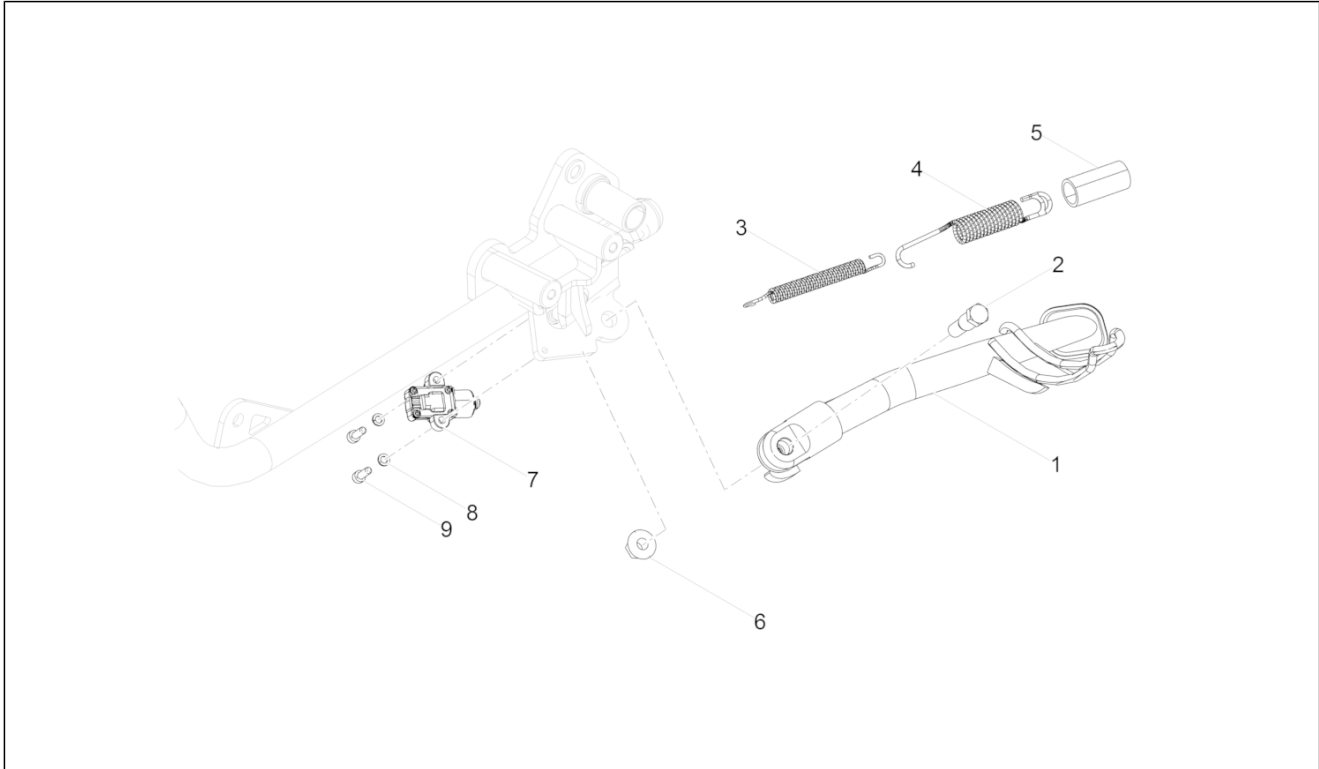
Pos.	Code	Description	Qty	Variants
1	2B003163	Frame	1	
2	GU98110199	Pin M10x205	1	
3	2B001035	Pin 234X10	1	
4	GU66103415	Rubber spacer	2	
5	GU95008210	Washer 10,2X18X2	11	
6	B063287	Frame union plate	1	
7	2B002311	Oval head torx screw M8X20	4	
8	AP8120311	Rubber spacer	2	
9	GU95008210	Washer 10,2X18X2	4	
10	GU92630510	Nut M10x1,5	4	
11	GU98682530	Hex socket screw M10x30	4	
12	GU92630510	Nut M10x1,5	4	
13	2B001612	Pin M10X253	1	
14	AP8150048	Hex socket screw	2	
15	2B003174	RH cradle arm	1	
16	2B002810	Chassis crossbeam	1	
17	2B004216	LH cradle arm	1	
18	2B002817	M10 pin	1	
19	GU98882416	M8x16 SHC screw	2	
20	2B001770	Fairlead	1	
21	2B001138	Fairlead	1	
22	2B004219	Bushing	1	
23	GU19017000	Bushing	2	

Group	Frame
Code	01.020
Description	Foot rests
Service	1



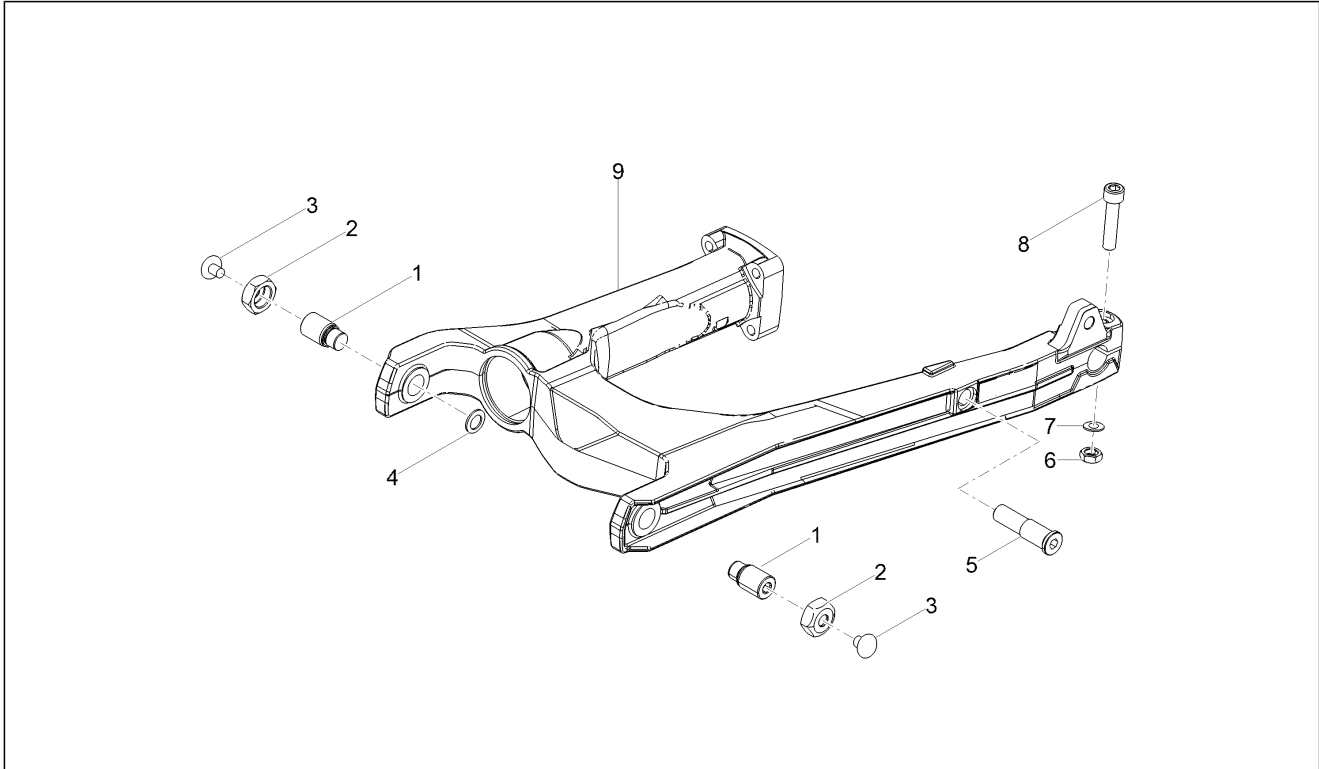
Pos.	Code	Description	Qty	Variants
1	2B002218	RH front footrest bracket	1	
2	2B002219	LH front footrest bracket	1	
3	2B003190	RH footrest support	1	
4	2B003189	LH footrest support	1	
5	2B002225	Footrest rubber	4	
6	AP8145034	RH Foot rests	1	
7	AP8145035	LH Foot rests	1	
8	GU32442310	Rear footrest, RH	1	
9	GU32442710	Rear footrest, LH	1	
10	GU32441210	Plate	4	
11	AP8152277	Screw w/ flange M6x12	8	
12	B063907	Footrest pin	2	
13	GU98680445	Hex socket screw	4	
14	CM228401	Footrest pin	2	
15	AP8121567	Pin	2	
16	AP8221277	Footrest return spring	2	
17	AP8120573	Stop ring	4	
18	AP8134451	Footrest plate	4	
19	AP8121133	Coil compress. spring	2	
20	AP8101861	Ball D6,35	2	
21	2B002171	Special cap screw 8x25	4	
22	859946	Fixing pin	1	

Group	Frame
Code	01.030
Description	Central stand
Service	1



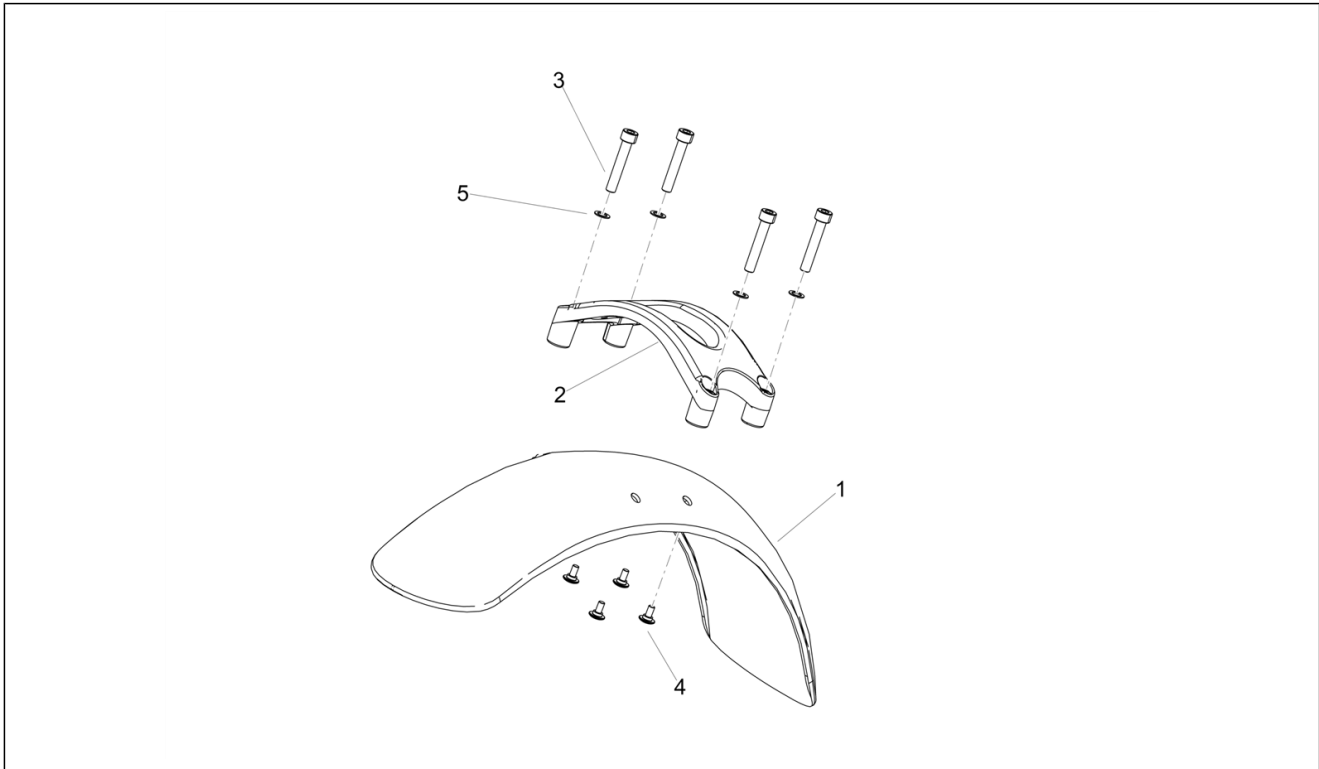
Pos.	Code	Description	Qty	Variants
1	2B003320	Lateral stand	1	
2	2B001088	Stand pin	1	
3	AP8121014	Coil pull spring	1	
4	AP8221197	Lateral stand spring	1	
5	AP8102524	Stand spring protection	1	
6	967356	Flanged nut M10x1,25	1	
7	AP8127856	Lateral stand switch	1	
8	GU95020105	Washer 5,3x8,9x2,4	1	
9	1C001499	TBEI TORX screw M5x16 INOX	2	

Group	Frame
Code	01.050
Description	Swing arm
Service	1



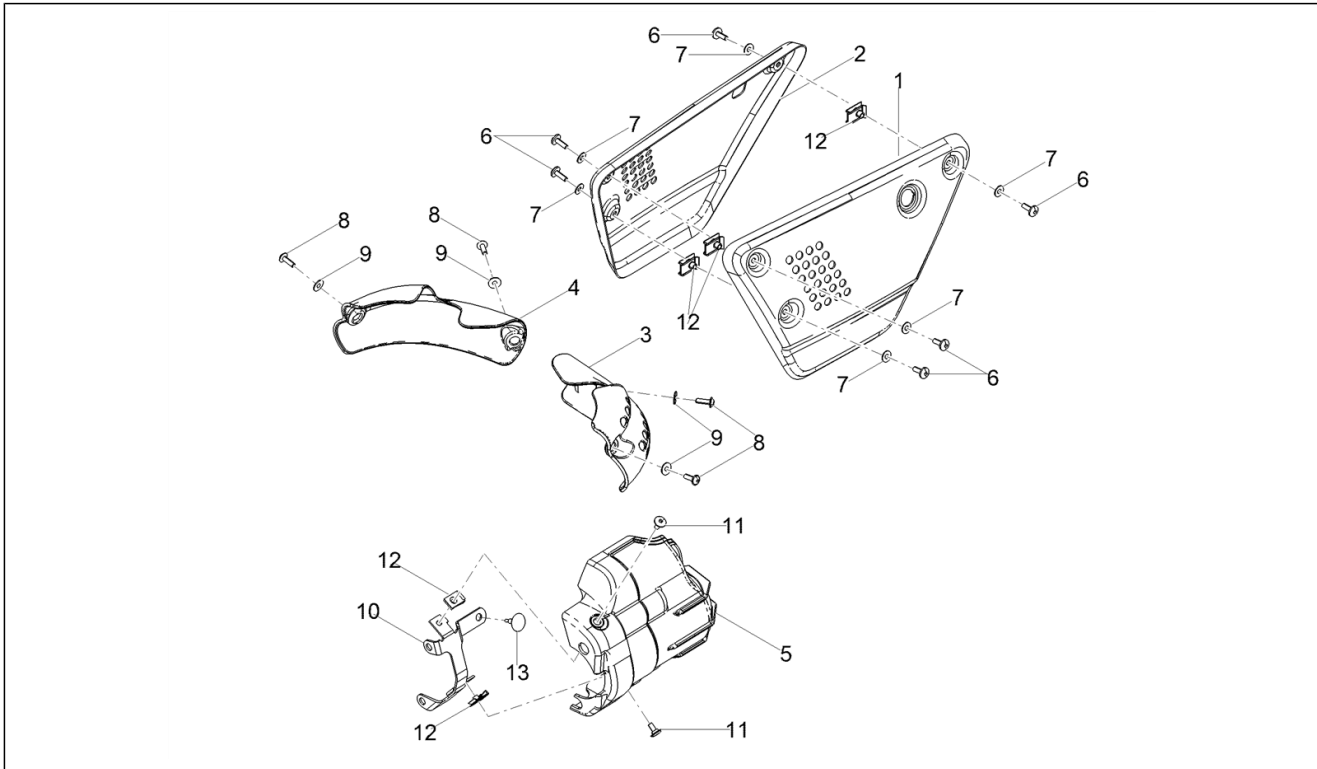
Pos.	Code	Description	Qty	Variants
1	GU19547000	Adjusting pin	2	
2	GU31547882	Nut	2	
3	GU93180105	Cover	2	
4	GU35214300	Tickness	1	
5	GU31544181	Pin	1	
6	GU92606210	Nut M10x1,5	1	
7	GU95008210	Washer 10,2X18X2	1	
8	GU98680545	screw M10x45	1	
9	2B001959	Swing arm, black	1	

Group	Body
Code	02.030
Description	Front mudguard-Pillar
Service	1



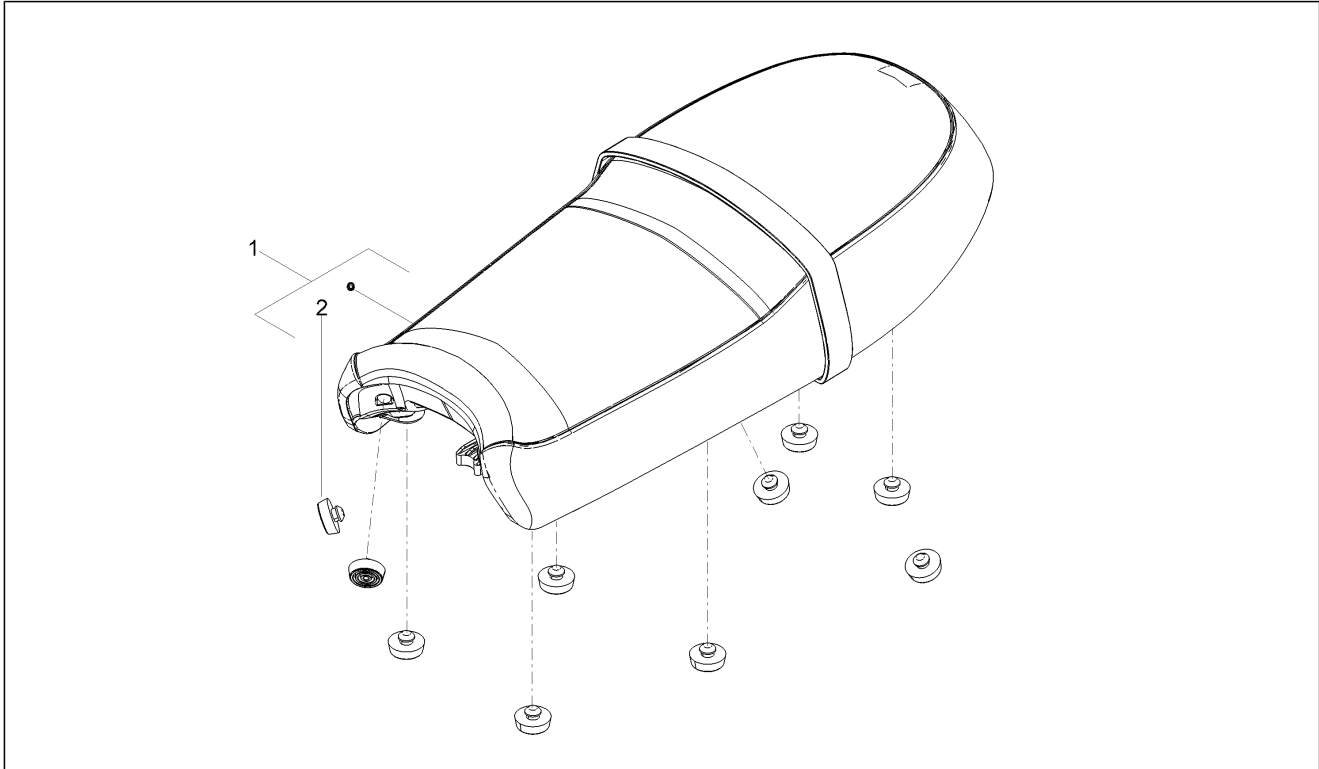
Pos.	Code	Description	Qty	Variants
1	2S000236	Front mudguard	1	
2	2B003515	Stabilization plate	1	
3	624995	screw M6x16	4	
4	GU31439565	Special screw	4	
5	658830	Curved spring washer 6x12	4	

Group	Body
Code	02.100
Description	Central body
Service	1



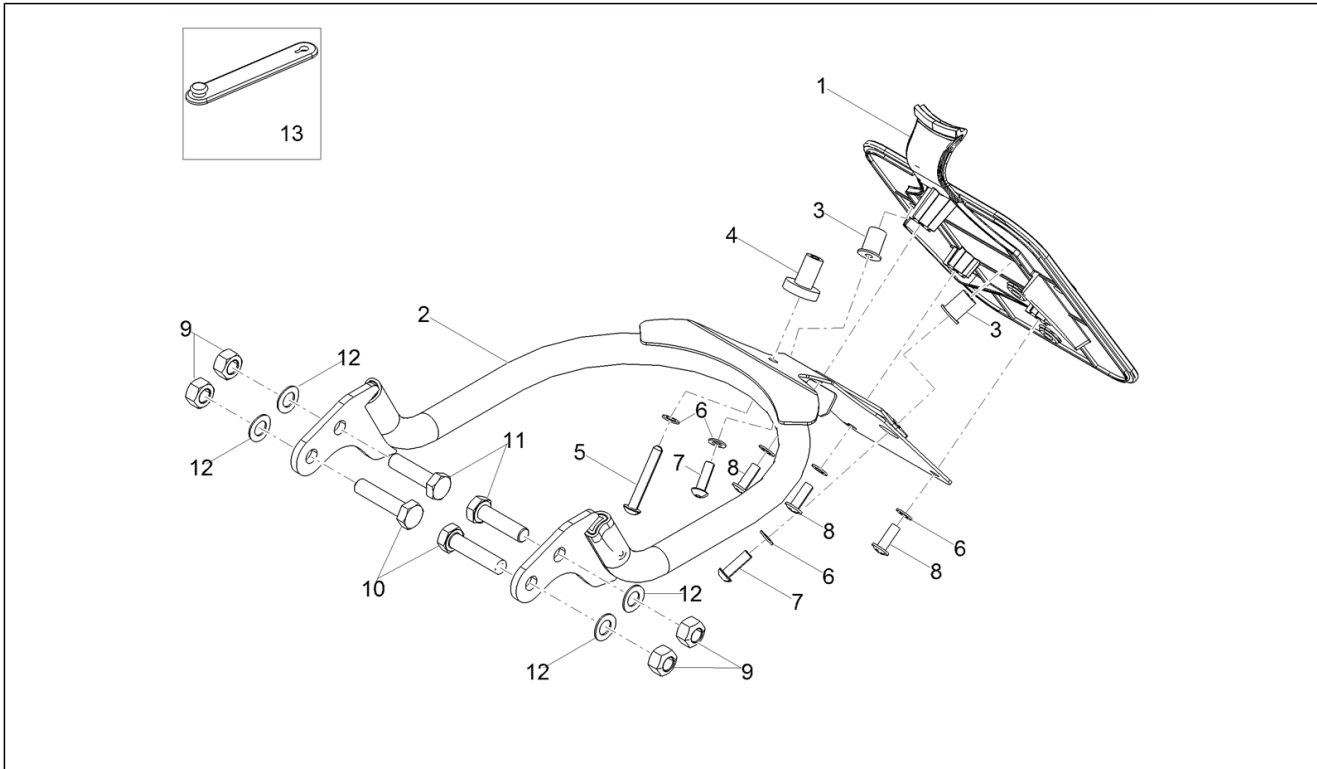
Pos.	Code	Description	Qty	Variants
1	2B004965	LH side fairing	1	
2	2B004966	RH side panel	1	
3	2B003451	Left injector covers	1	
4	2B003450	Right injector covers	1	
5	2B002943	Starter motor cover	1	
6	976614	Hex socket screw M5x15	6	
7	GU01577830	Nylon washer	1	
8	896174	Hex socket screw Black M5x12	4	
9	843213	T bush	4	
10	2B002937	Cover support bracket	4	
11	AP8150500	Hex socket screw M5x9 NERINOX	2	
12	AP8102375	Clip M5	8	
13	AP8120001	Rubber spacer	1	

Group	Body
Code	02.120
Description	Saddle
Service	1



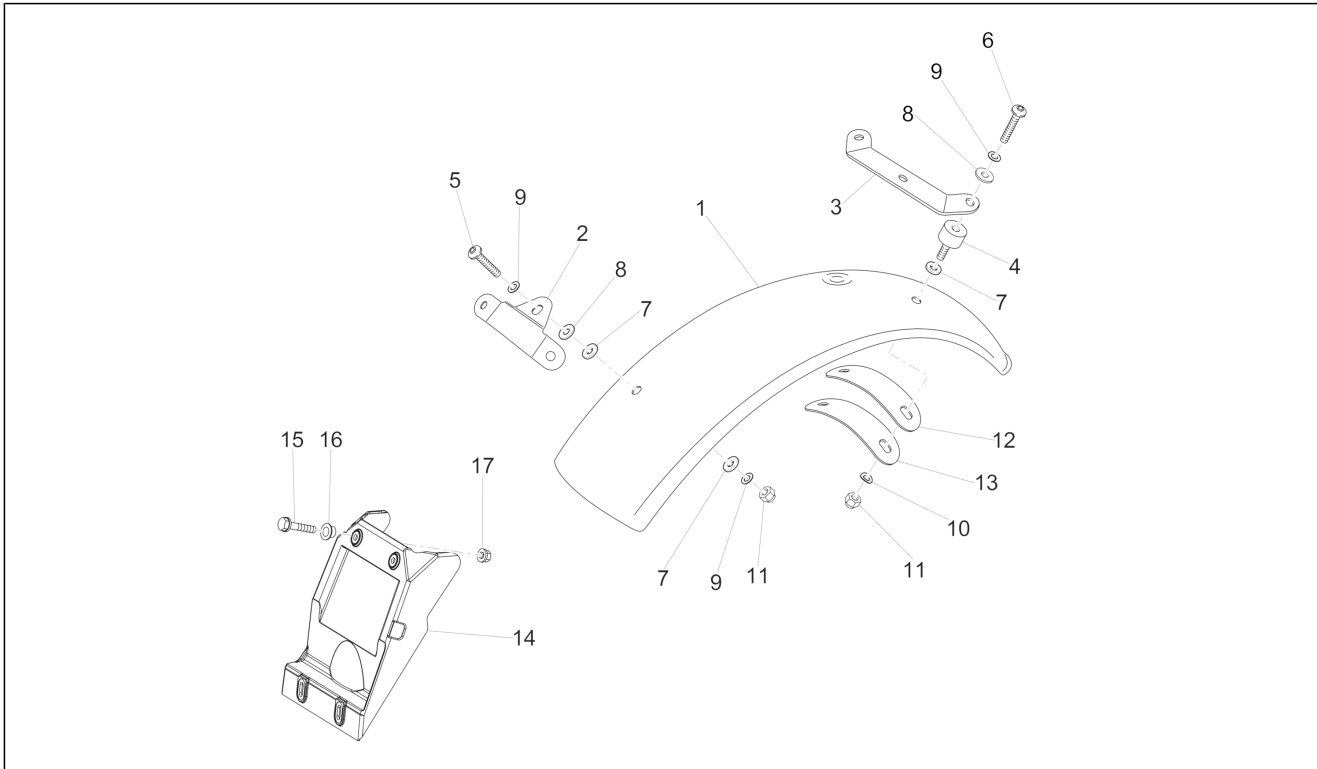
Pos.	Code	Description	Qty	Variants
1	2B004968000C1	Saddle	1	
2	GU32461610	Rubber spacer	10	

Group	Body
Code	02.140
Description	Rear body
Service	1



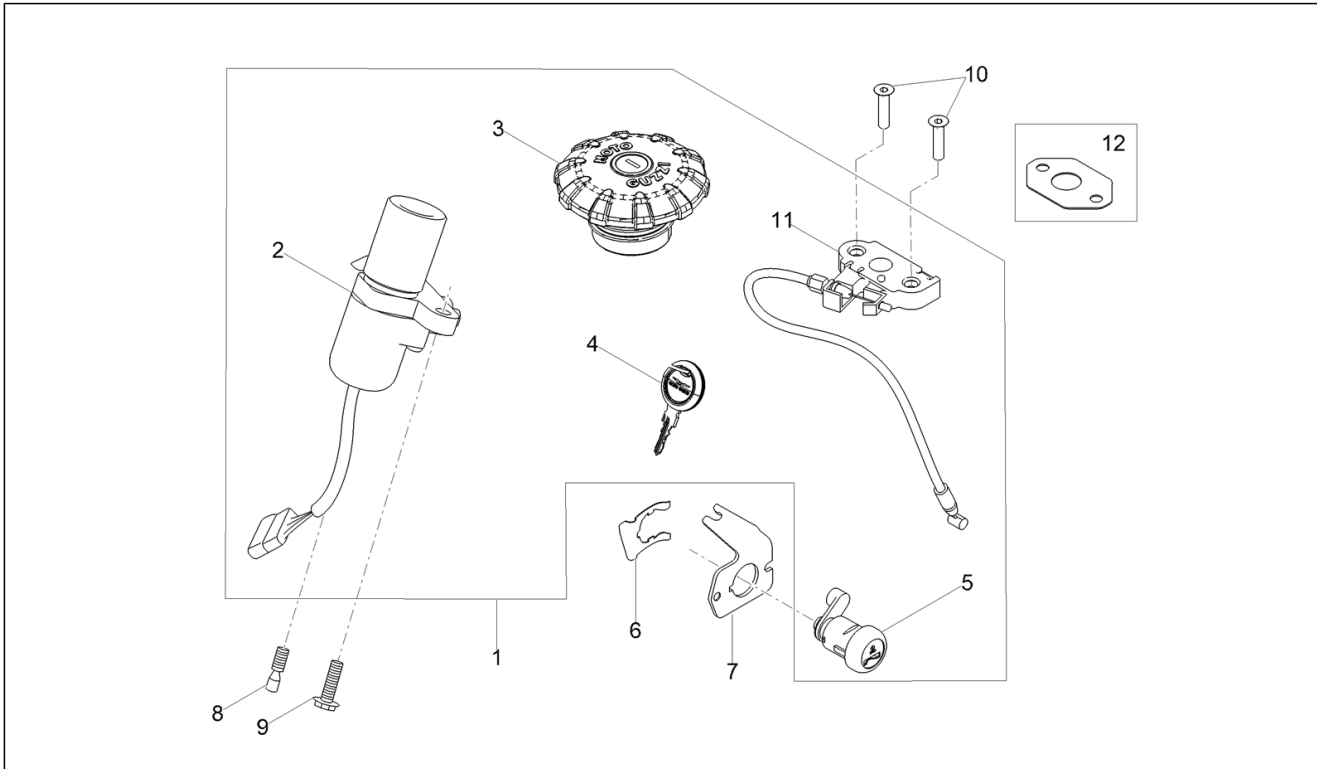
Pos.	Code	Description	Qty	Variants
1	2S0002935	License plate	1	
2	2S001000	License plate carrier hoop	1	
3	AP8120531	Rubber w/ insert	2	
4	GU93232005	Rubber spacer	1	
5	AP8225369	Hex socket screw	1	
6	674927	Spring washer	6	
7	GU98370516	Hex socket screw	2	
8	AP8150509	Self-tap screw 5x14	3	
9	AP8152350	Nut	4	
10	030072	screw M8x35	2	
11	AP8150447	Hex screw M8x30	2	
12	AP8150376	Washer 8,5x15x0,8	4	
13	2B004963	Spring clamp	2	

Group	Body
Code	02.150
Description	Rear mudguard
Service	1



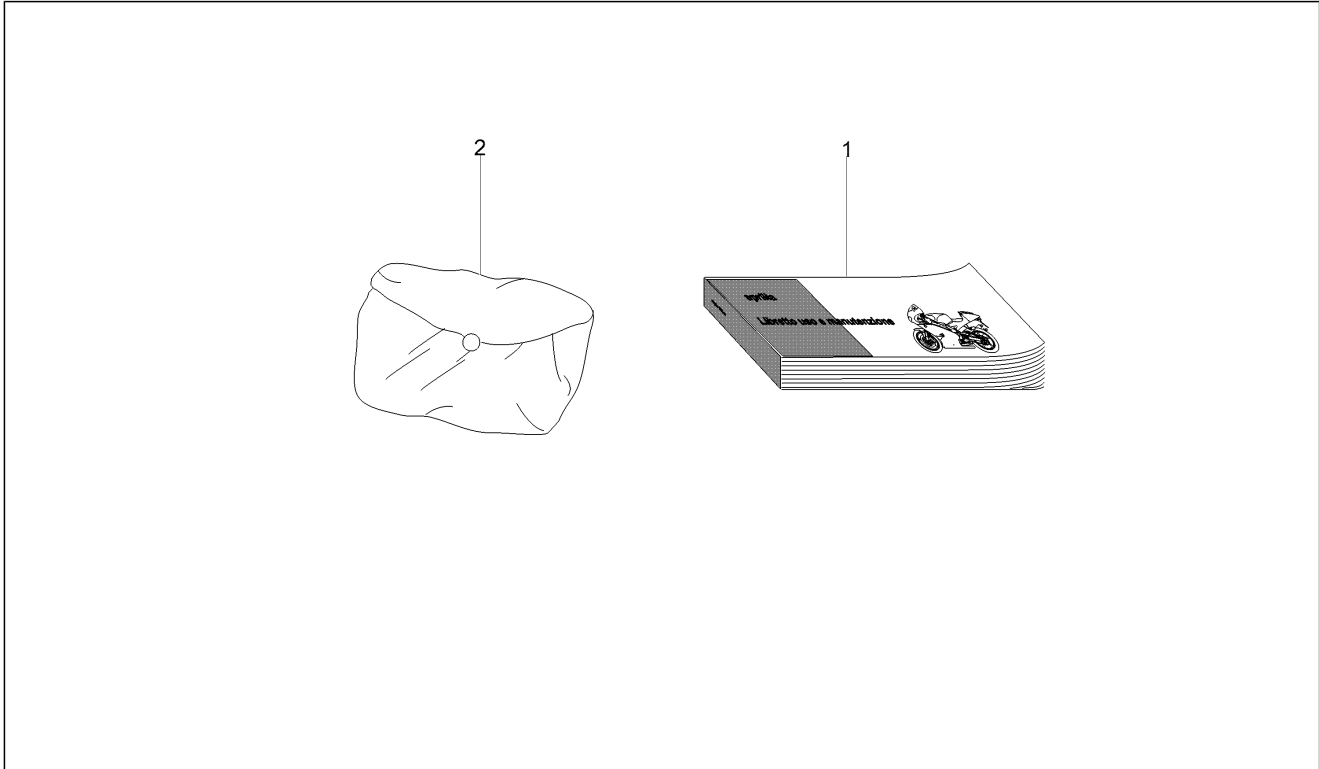
Pos.	Code	Description	Qty	Variants
1	2S000237	Rear mudguard, brushed finish	1	
2	2S000251	Front fastener bracket	1	
3	2S000252	Rear fastener bracket	1	
4	AP8120459	M6 male/female rubber anti-vibration damper	2	
5	GU98370621	Hex socket screw M6x20	1	
6	GU98230512	Hex socket screw	2	
7	2R000315	Teflon ring Ø18 X Ø6,5 SP.1.7	4	
8	AP8150378	Washer 6,4x18x2	3	
9	AP8150380	Washer 12,5x6,4*	4	
10	658830	Curved spring washer 6x12	2	
11	AP8150430	Low self-locking nut	3	
12	2S000255	Rubber	1	
13	2S000254	Stainless steel plate	1	
14	2B001783	Rear splash guard	1	
15	598839	Screw w/ flange	4	
16	AP8121032	Bush	6	
17	AP8152299	Self-locking nut M6	6	

Group	Body
Code	02.170
Description	Locks
Service	1



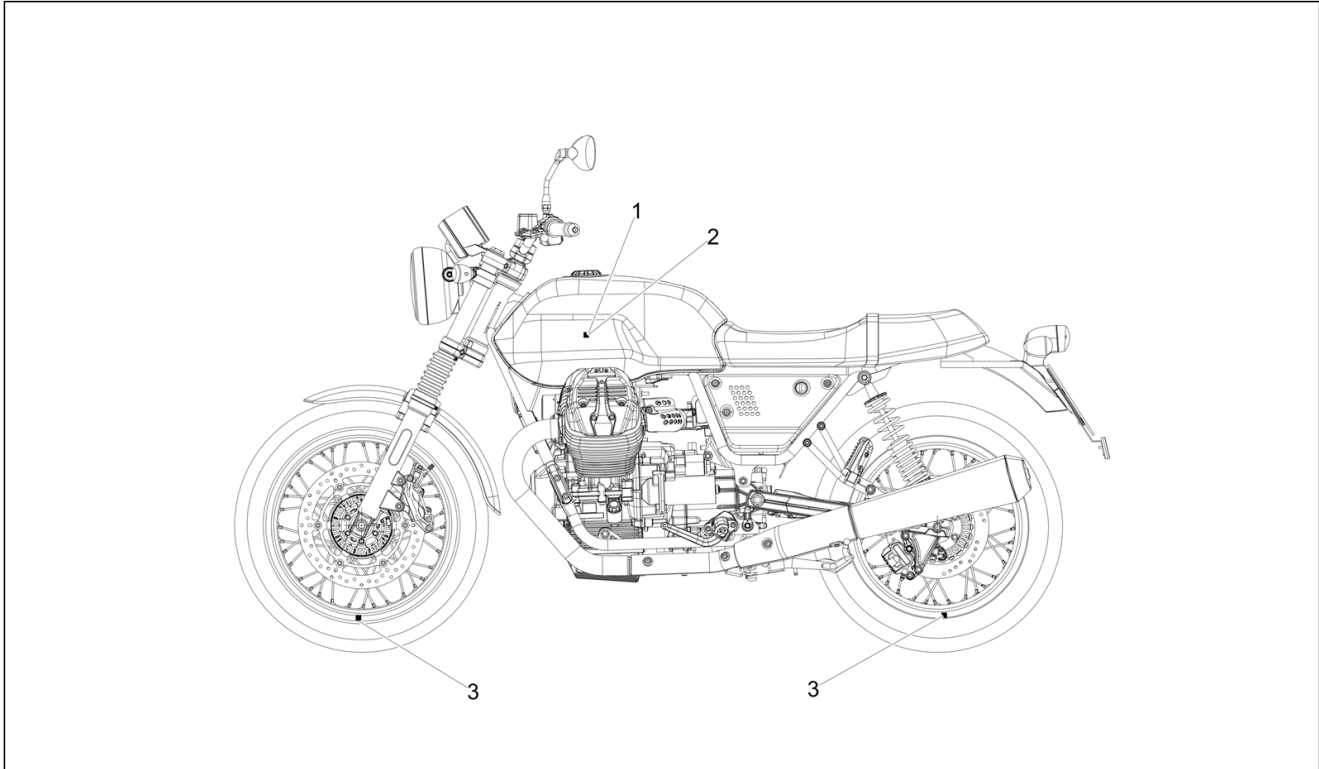
Pos.	Code	Description	Qty	Variants
1	2B003493	Lock kit	1	
2	2D000351	Key switch	1	
3	2B0039954	Plug	1	
4	2B003994		1	
5	2B004009	Seat lock with key	1	
6	AP8121420	Fork spring	1	
7	978415	Cable fixing plate	1	
8	AP8152229	Shear rivet M8x20	1	
9	GU98682416	Hex socket screw M8x16	1	
10	AP8702101	Screw M6x25	2	
11	2B003809	Saddle transmission	1	
12	886820	Saddle lock fix.plate	1	

Group	Body
Code	02.180
Description	Plate set / Various
Service	1



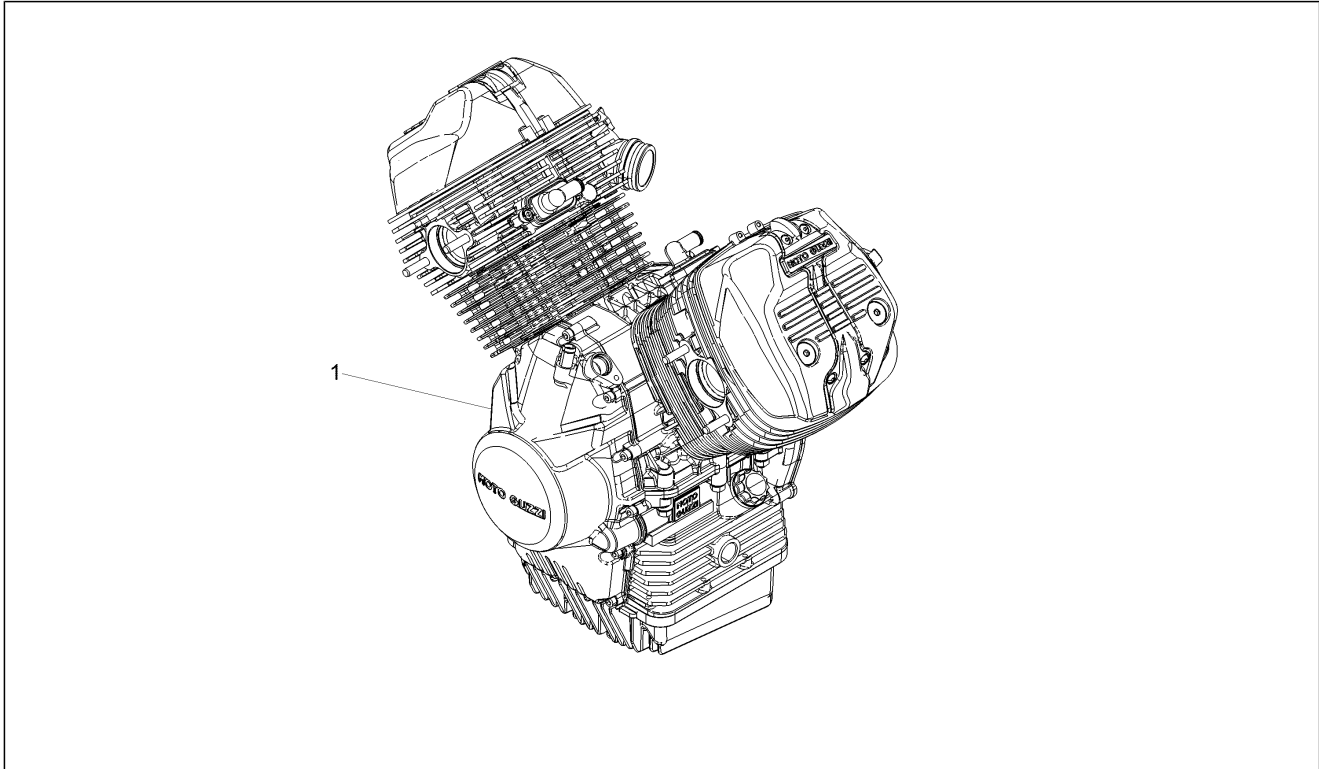
Pos.	Code	Description	Qty	Variants
1	2Q000346	LUM V7III IT-FR-DE-NL-ES-EN	1	
2	2B003306	Toolkit	1	

Group	Body
Code	02.190
Description	Decal
Service	1



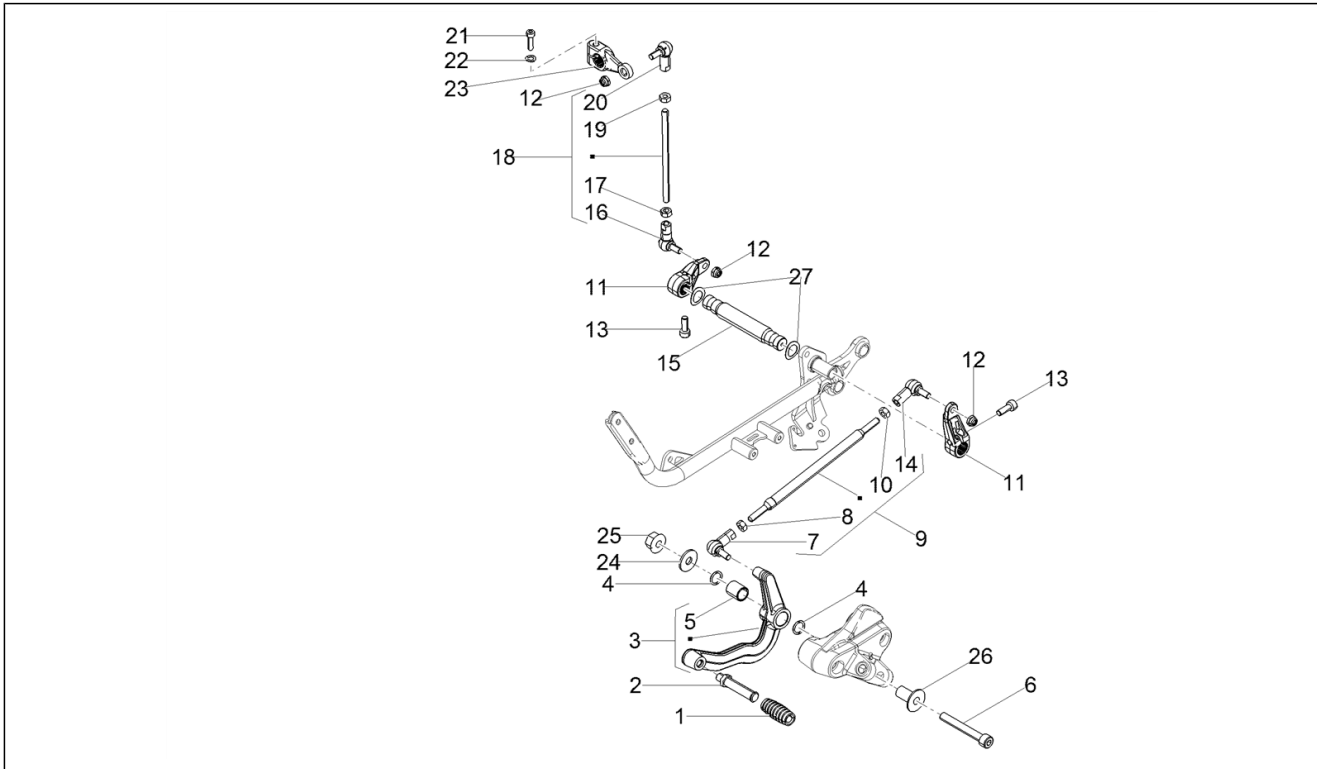
Pos.	Code	Description	Qty	Variants
1	2H002592	"Eagle" decal right	1	
2	2H002593	LH "Eagle" badge	1	
3	2H001443	Decal "Moto Guzzi"	4	

Group	Engine
Code	03.010
Description	Engine-Completing part-Lever
Service	1



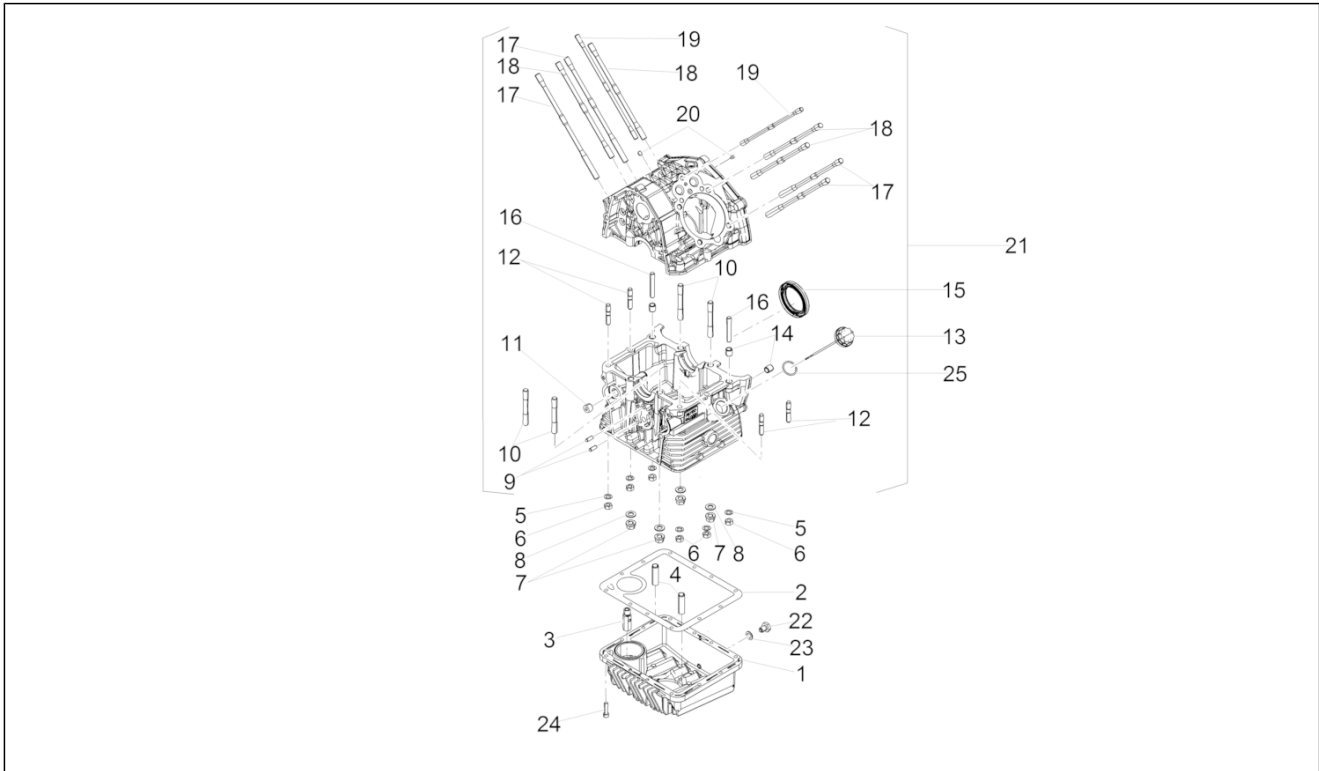
Pos.	Code	Description	Qty	Variants
1	1A0073175	Engine assy w/hout transm.	1	Technical specification:[NEW]

Group	Engine
Code	03.020
Description	Gear lever
Service	1



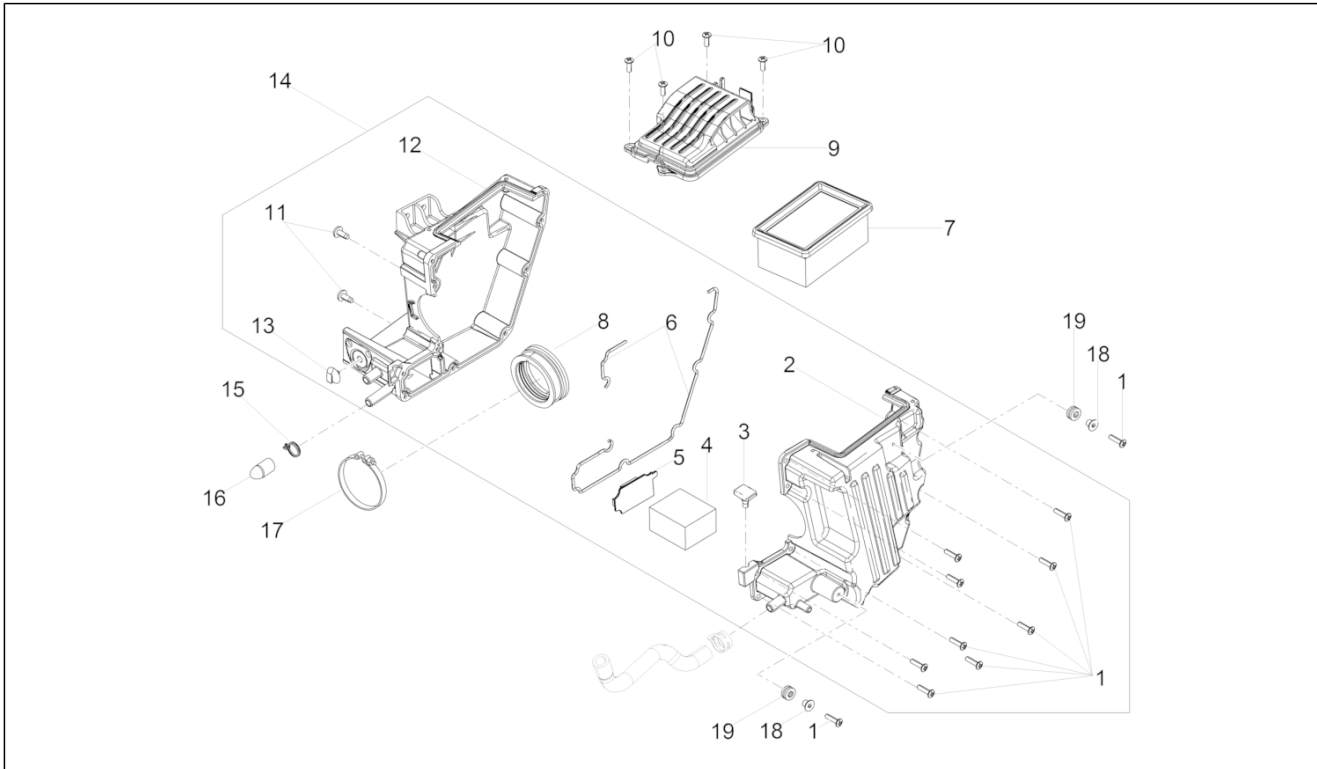
Pos.	Code	Description	Qty	Variants
1	AP8120912	Lever rubber	1	
2	887908	Rubber pedal	1	
3	2B003348	Complete gearchange lever	1	
4	AP8144007	O-ring 11,11x1,78	2	
5	895328	Sintered bushing	1	
6	GU98680460	Hex socket screw M8x60	1	
7	898397	Left ball joint M6	1	
8	GU92606206	Nut	1	
9	2B003606	Gear control tie rod	1	
10	GU31256881	LH thread nut M6	1	
11	898283	Gear change lever	2	
12	AP8150115	Low self-locking nut M6	2	
13	GU98692318	Hex socket screw M6x18	2	
14	898396	RH ball joint M6	1	
15	2B001009	Lever pin	1	
16	AP8110053	Left ball joint M6	1	
17	AP8152138	Nut	1	
18	2B001941	Gear control tie rod	1	
19	AP8150026	Nut M6	1	
20	AP8210007	RH ball joint M6	1	
21	GU98632322	screw	1	
22	GU03013800	Washer 6,4x12	1	
23	GU20258221	Shift lever	1	
24	AP8150018	Washer	1	
25	967363	Nut M8x1,25	1	
26	AP8121509	Bush	1	
27	GU95129260	Spring washer	2	

Group	Engine
Code	03.030
Description	Crankcases I
Service	1



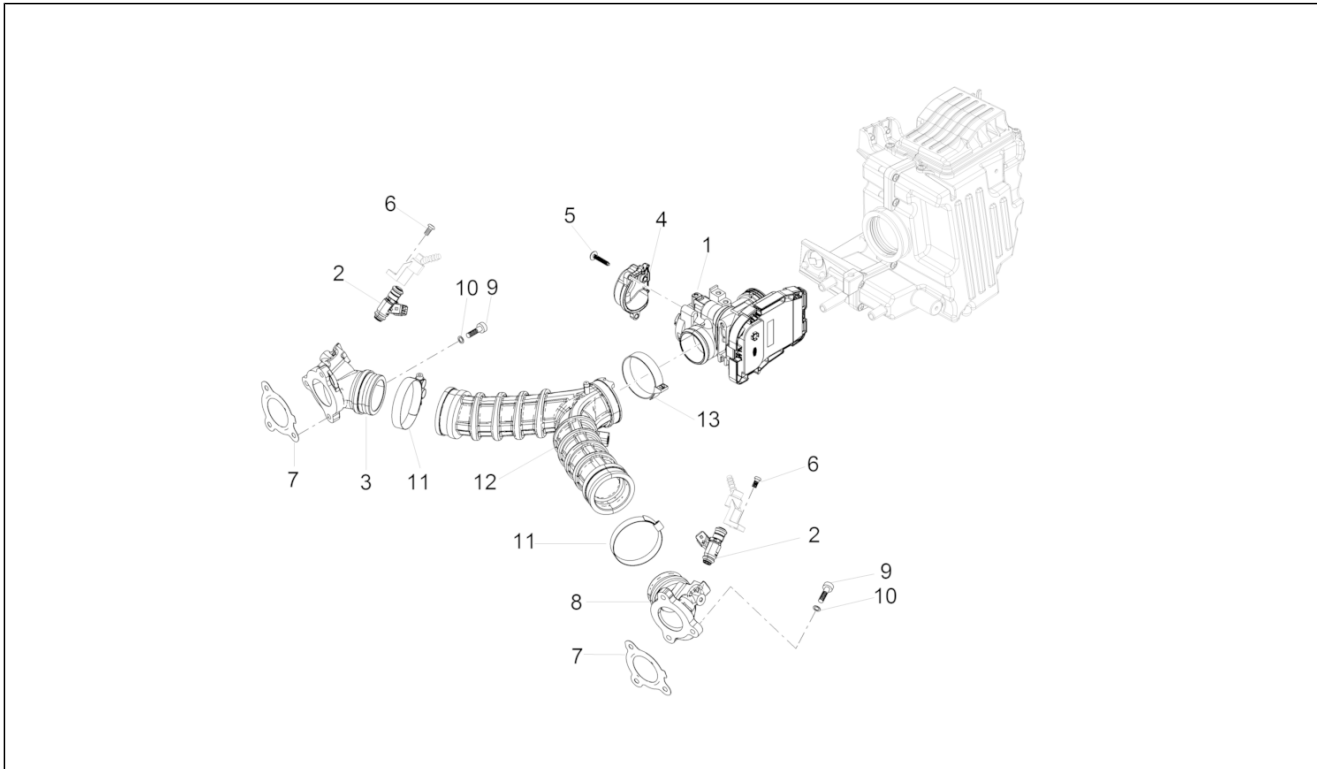
Pos.	Code	Description	Qty	Variants
1	1A004550	Pan oil	1	
2	1A005211	Sump gasket	1	
3	GU19003800	Joint	1	
4	1A006047	Hose union	2	
5	658837	Crinkle washer D15 F8,4 S1,5 - INOX	6	
6	GU92606208	Nut M8x1,25	6	
7	1A006656	Flanged nut M10x1	4	
8	1A006655	Flat washer	4	
9	GU19018920	Pin	2	
10	1A004530	Stud bolt	4	
11	831135	Plug M14x1,5	1	
12	GU96451430	Stud bolt	4	
13	883826	Oil load plug	1	
14	GU19015020	Bushing	2	
15	886365	Gasket ring	1	
16	GU96508055	Stud bolt	2	
17	1A006283	Long head stud bolt	4	
18	1A006284	Short head stud bolt	4	
19	1A006860	Central head stud bolt	2	
20	484993	Locating dowel	2	
21	1A011206	Coupled crankcase	1	Technical specification: [NEW][OM]
21	1A0069335	Coupled crankcase	1	Technical specification: [OLD][OM]
22	GU31003766	Oil unload plug M10x1	1	
23	GU10528900	Gasket	1	
24	GU98682325	Hex socket screw M6x25	12	
25	GU90706281	O-ring 28,24x2,62	1	

Group	Engine
Code	03.050
Description	Air box
Service	1



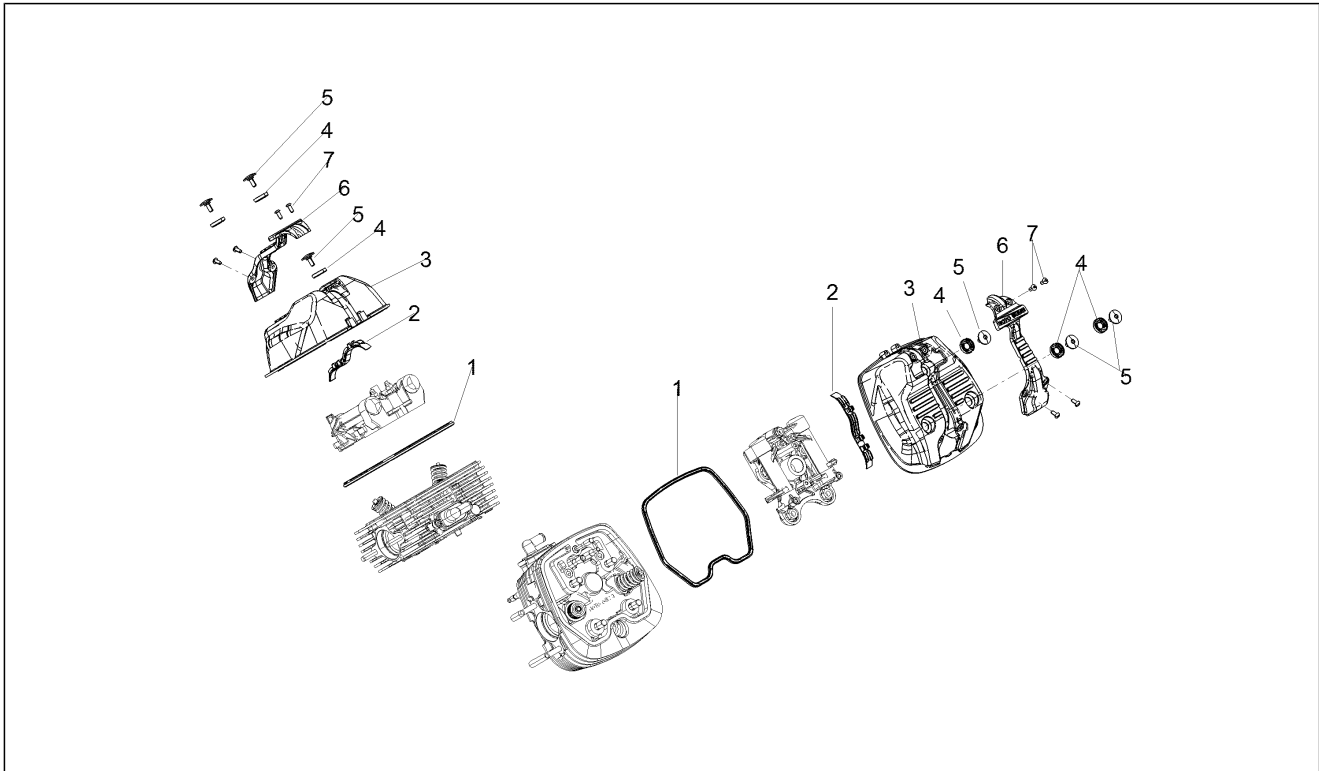
Pos.	Code	Description	Qty	Variants
1	AP8152329	Phillips screw, SWP M5x20	9	
2	2B002832	LH filter housing cover	1	
3	AP8120455	Rubber spacer	1	
4	AP8104525	Filter blow-by	2	
5	2B002851	Diaphragm	1	
6	AP8120615	Gasket D3	1	
7	AP8104924	Air filter	1	
8	887815	Intake hose	1	
9	887843	Air filter cover	1	
10	AP8150509	Self-tap screw 5x14	4	
11	AP8120876	Plug	2	
12	887844	Filter box right shell	1	
13	890760	Instrument support	1	
14	2B002959	Filter box	1	
15	AP8102520	Hose clamp	2	
16	AP8161054	Cap	2	
17	CM258303	Hose clamp 63	1	
18	AP8221023	T bush	2	
19	GU91551010	Rubber 10X20X10	2	

Group	Engine
Code	03.060
Description	Throttle body
Service	1



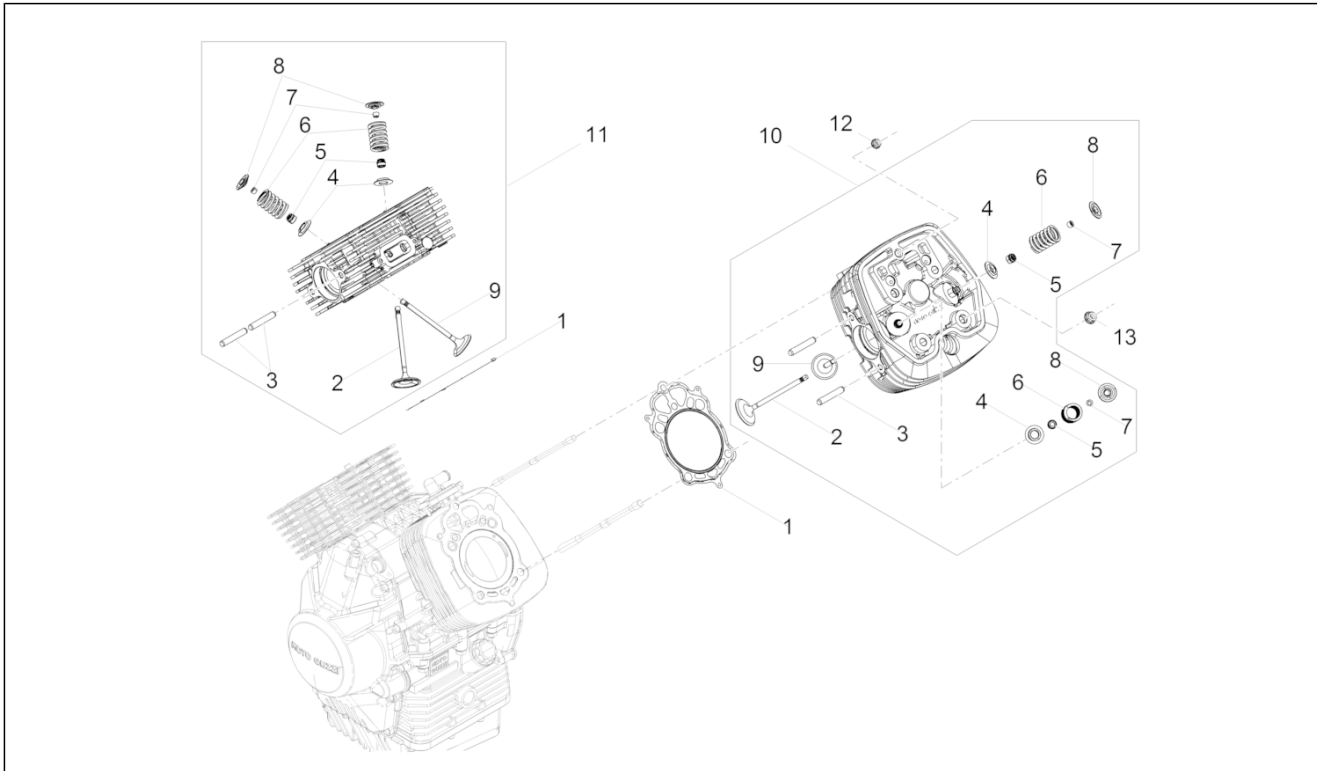
Pos.	Code	Description	Qty	Variants
1	CM275405	Throttle body with C.D.I.	1	
2	1D001393	Injector	2	
3	2A000609	RH union	1	
4	880260	Throttle body cover	1	
5	B016796	Torx convex big end screw	3	
6	AP8150500	Hex socket screw M5x9 NERINOX	2	
7	2A000612	Induction joint gasket	2	
8	2A000608	LH union	1	
9	GU98622322	screw	6	
10	GU03013800	Washer 6,4x12	6	
11	CM258301	Hose clamp	2	
12	2B001823	Throttle body hose	1	
13	CM258301	Hose clamp	1	

Group	Engine
Code	03.090
Description	Head cover
Service	1



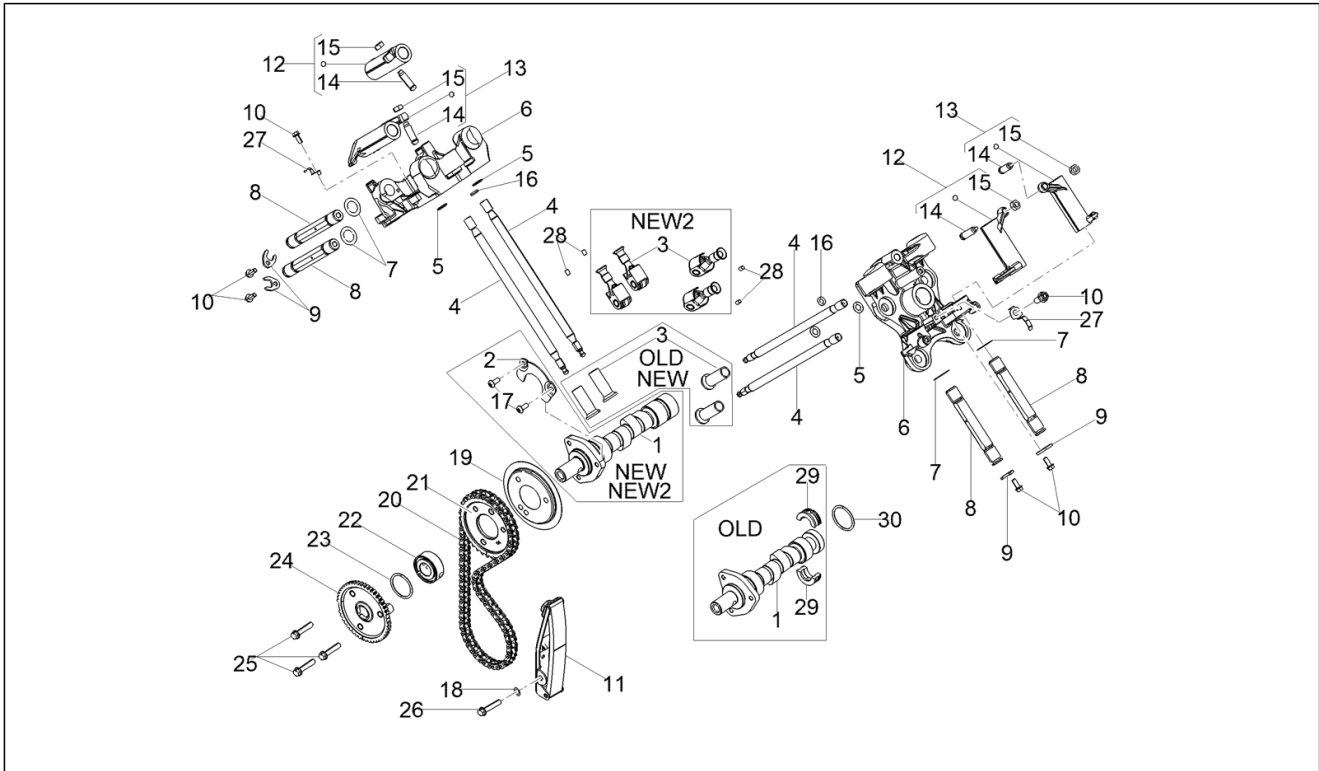
Pos.	Code	Description	Qty	Variants
1	2A000565	Head cover gasket	2	
2	2A000659	Fairlead	2	
3	1A008882	Head cover	2	
4	1A006716	Damper drift	6	
5	976591	Special screw	6	
6	2A000620	Spark plug cover	2	
7	AP8152267	Hex socket screw M5x12	8	

Group	Engine
Code	03.100
Description	Cylinder head - valves
Service	1



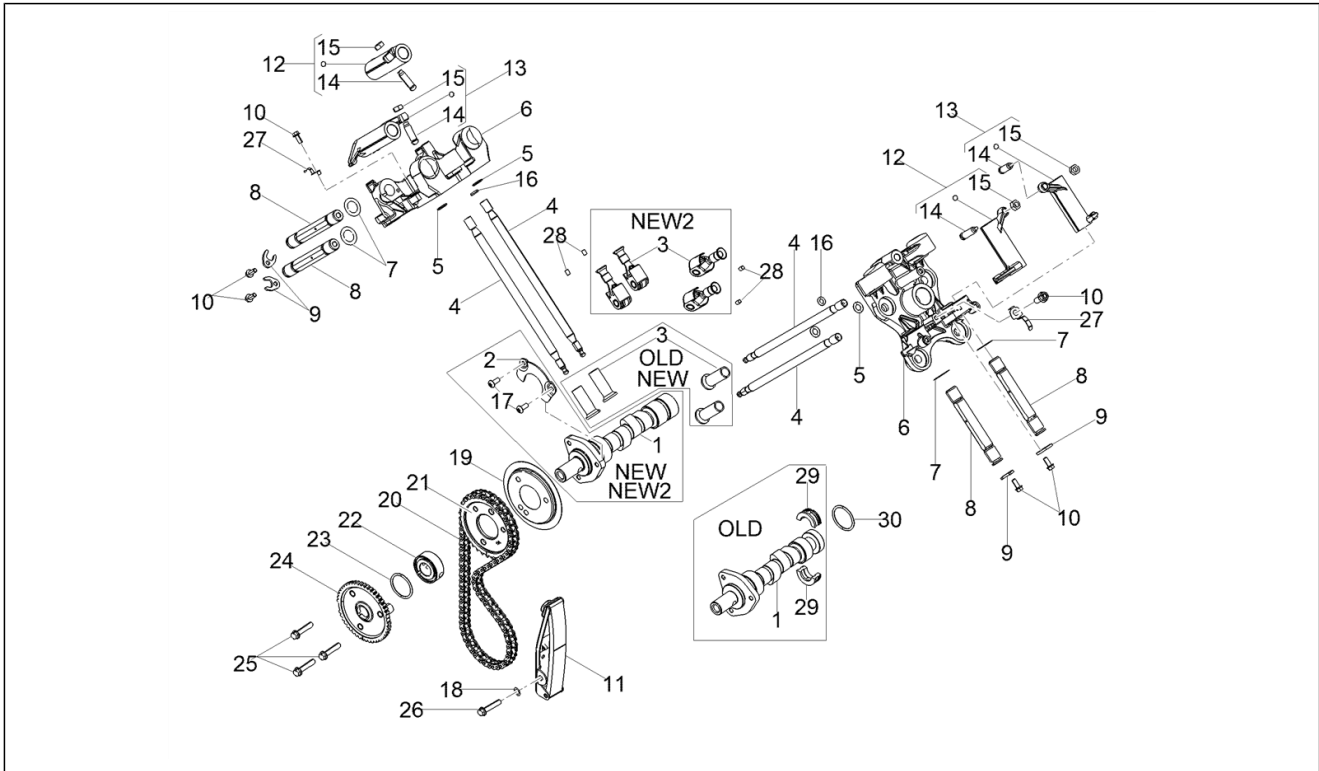
Pos.	Code	Description	Qty	Variants
1	1A006541	Head-cylinder gasket, th. 0.6 mm	1	
1	1A006542	Head-cylinder gasket, th. 0.8 mm	1	
1	1A006543	Head-cylinder gasket, th. 1.0 mm	1	
2	1A005424	Valve, in	1	
3	1A003632R	Stud bolt	2	
4	1A004751	Lower cap	4	
5	1A003452	Valve gasket ring	2	
6	1A004752	Return spring	2	
7	871640	Half-cone	8	
8	1A004750	Upper cap	4	
9	1A005425	Exhaust valve	1	
10	1A0076305	LH head assy with valve	1	
11	1A0076315	RH head assy w/h valve	1	
12	1A006659	Flanged nut M8x1.25	1	
13	825694	Nut M10x1,25	1	

Group	Engine
Code	03.120
Description	Timing system
Service	1



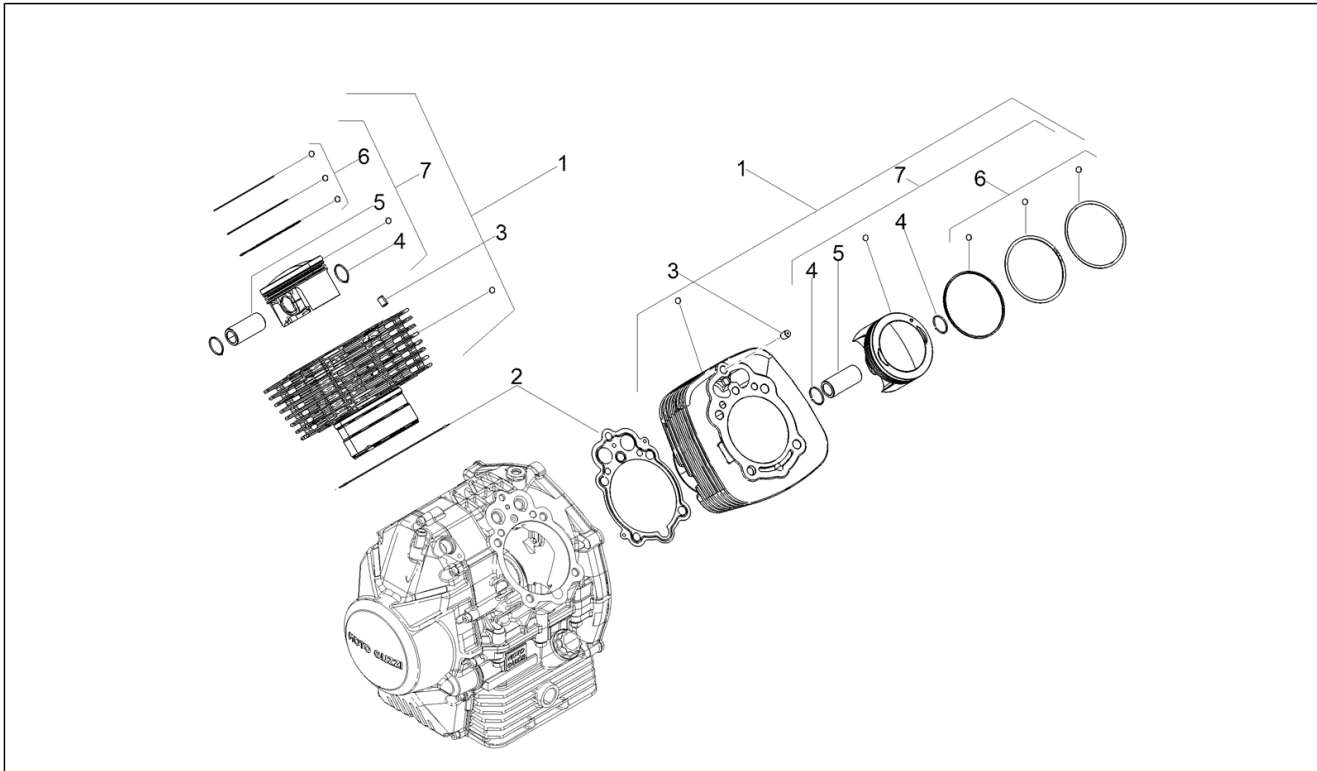
Pos.	Code	Description	Qty	Variants
1	1A005712	Camshaft	1	Technical Specification: Engine OLD with bucket tappet timing system[OLD]
1	1A010177	Camshaft	1	Technical Specification: Engine NEW whit timing system roller tappet [NEW2]
1	1A010701	Camshaft	1	Technical Specification: Engine NEW with bucket tappet timing system[NEW]
2	1A009346	Camshaft retaining plate	1	Technical Specification: Engine NEW with bucket tappet timing system[NEW] Engine NEW whit timing system roller tappet [NEW2]
3	GU19045861	Tappet	4	Technical Specification: Engine OLD with bucket tappet timing system[OLD] Engine NEW with bucket tappet timing system[NEW]
3	1A0101245	Roller tappet	4	Technical Specification: Engine NEW whit timing system roller tappet [NEW2]
4	1A009679	Rocker arm rod	4	Technical Specification: Engine NEW whit timing system roller tappet [NEW2]
4	2A000496	Rocker arm rod	4	Technical Specification: Engine OLD with bucket tappet timing system[OLD] Engine NEW with bucket tappet timing system[NEW]
5	2A000579	O-Ring seal ring 2,62x9.19	4	
6	1A010730	Rocker arm support	2	
7	1A005951	Curved spring washer	4	
8	2A000528	Rocker shaft	4	
9	2A000521	Fork	4	
10	1A015041	Screw m5x12 torx	6	
11	GU19058220	Chain stretching drive	1	
12	1A004905	Left exhaust right intake rocker	2	
13	1A004903	Right exhaust left intake rocker	2	
14	1A004907	Adjuster screw	2	
15	GU10034100	Nut	2	
16	1A006861	Gasket ring	2	

Group	Engine
Code	03.120
Description	Timing system
Service	1



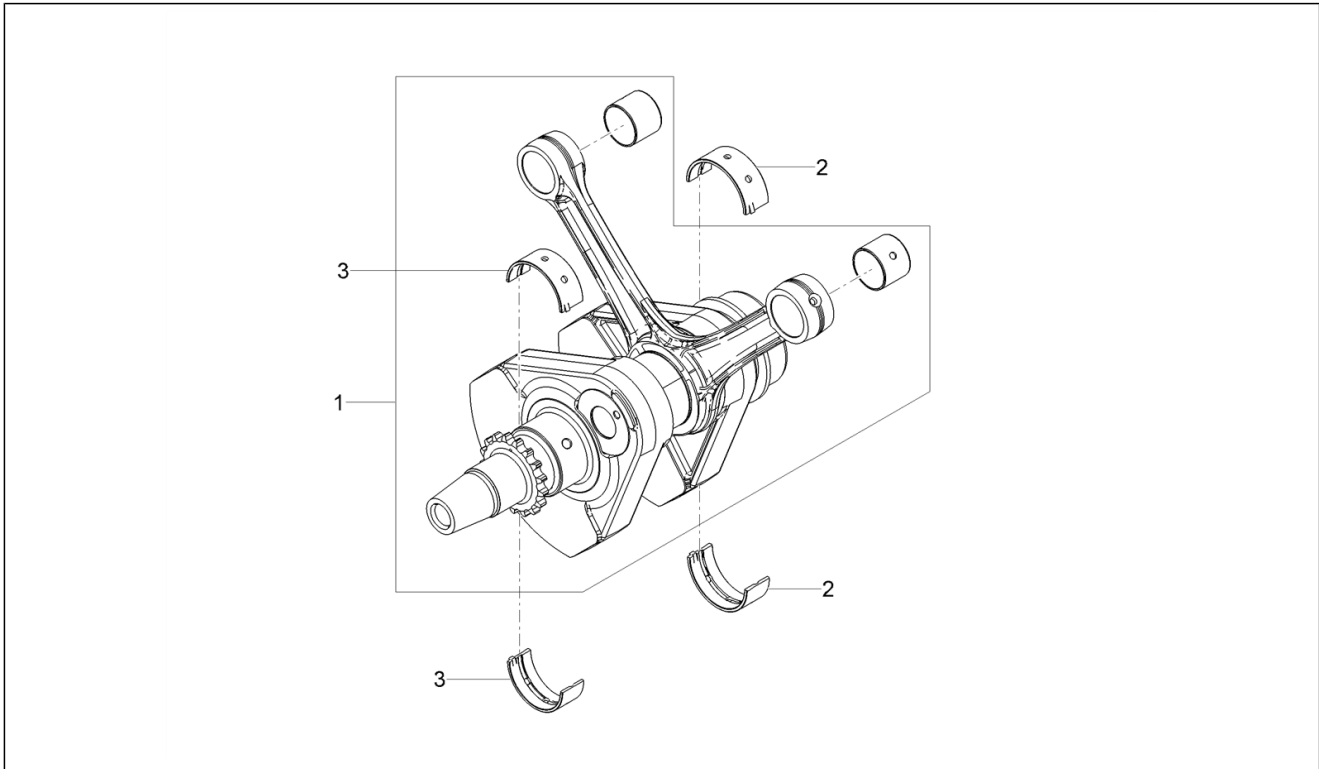
Pos.	Code	Description	Qty	Variants
17	B014598	Torx Screw M5x12	2	Technical Specification: Engine NEW with bucket tappet timing system[NEW] Engine NEW whit timing system roller tappet [NEW2]
18	GU95129115	Washer	1	
19	1A005955	Plate	2	
20	GU19058021	Camshaft chain	1	
21	1A006243	Timing system gear	1	
22	1A006119	Spacer	1	
23	1A006127	Oring	1	
24	1A0057145	Phonic wheel	1	
25	1A008576	Flanged hexagonal head screw M6x32 M6x32	3	
26	GU98882316	screw	1	
27	2A000527	Plate	2	
28	B013552	Roller	4	Technical Specification: Engine NEW whit timing system roller tappet [NEW2]
29	GU19055700	Sector	2	Technical Specification: Engine OLD with bucket tappet timing system[OLD]
30	GU90353029	Snap ring	1	Technical Specification: Engine OLD with bucket tappet timing system[OLD]

Group	Engine
Code	03.150
Description	Cylinder - Piston
Service	1



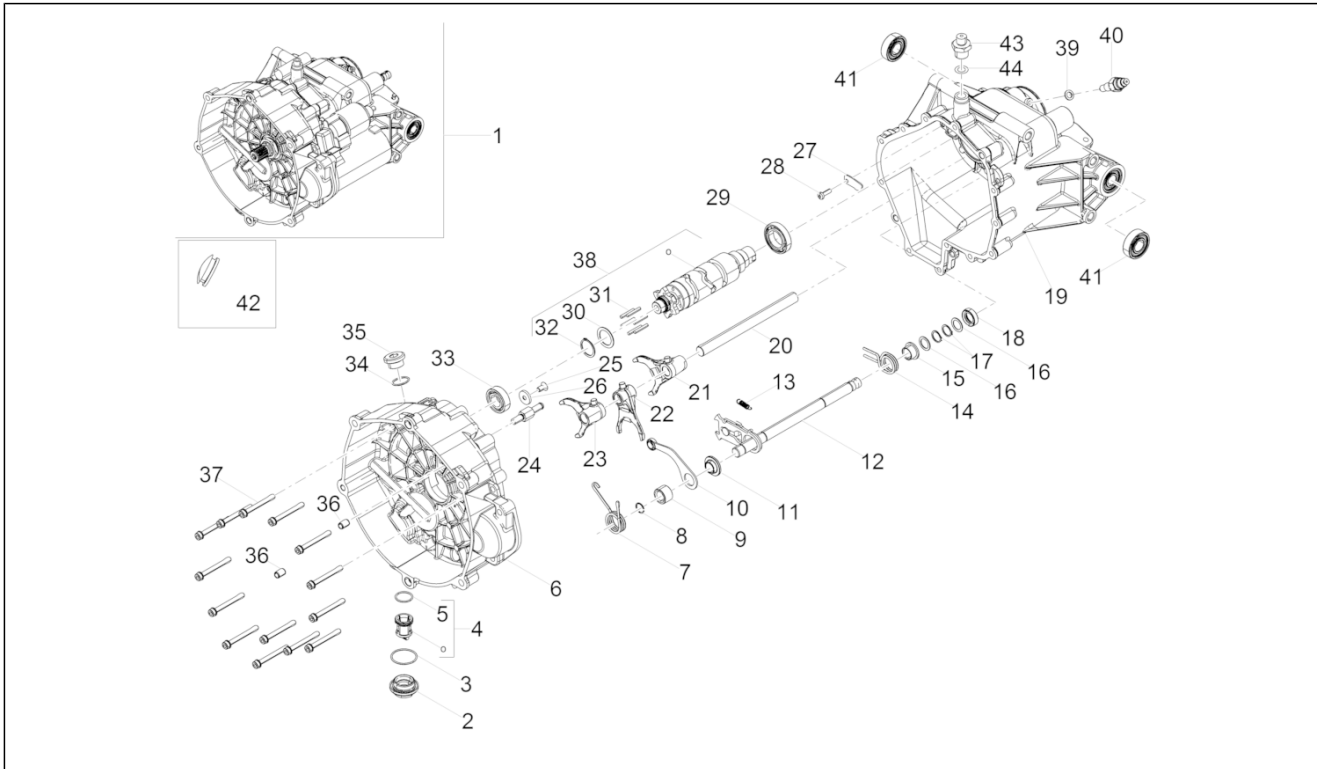
Pos.	Code	Description	Qty	Variants
1	1A0090945	Cylinder with piston	1	
2	1A007070	Crankcase/cylinder gasket	2	
3	GU19021360	Bushing	2	
4	874567	Stop ring	4	
5	1A004956	Piston pin	2	
6	B063466	Pistonring set	2	
7	1A0065490G	Complete piston, cat. G	2	
7	1A0065490H	Complete piston, cat. H	2	
7	1A0065490L	Complete piston, cat. L	2	
7	1A0065490M	Complete piston, cat. M	2	

Group	Engine
Code	03.160
Description	Drive shaft
Service	1



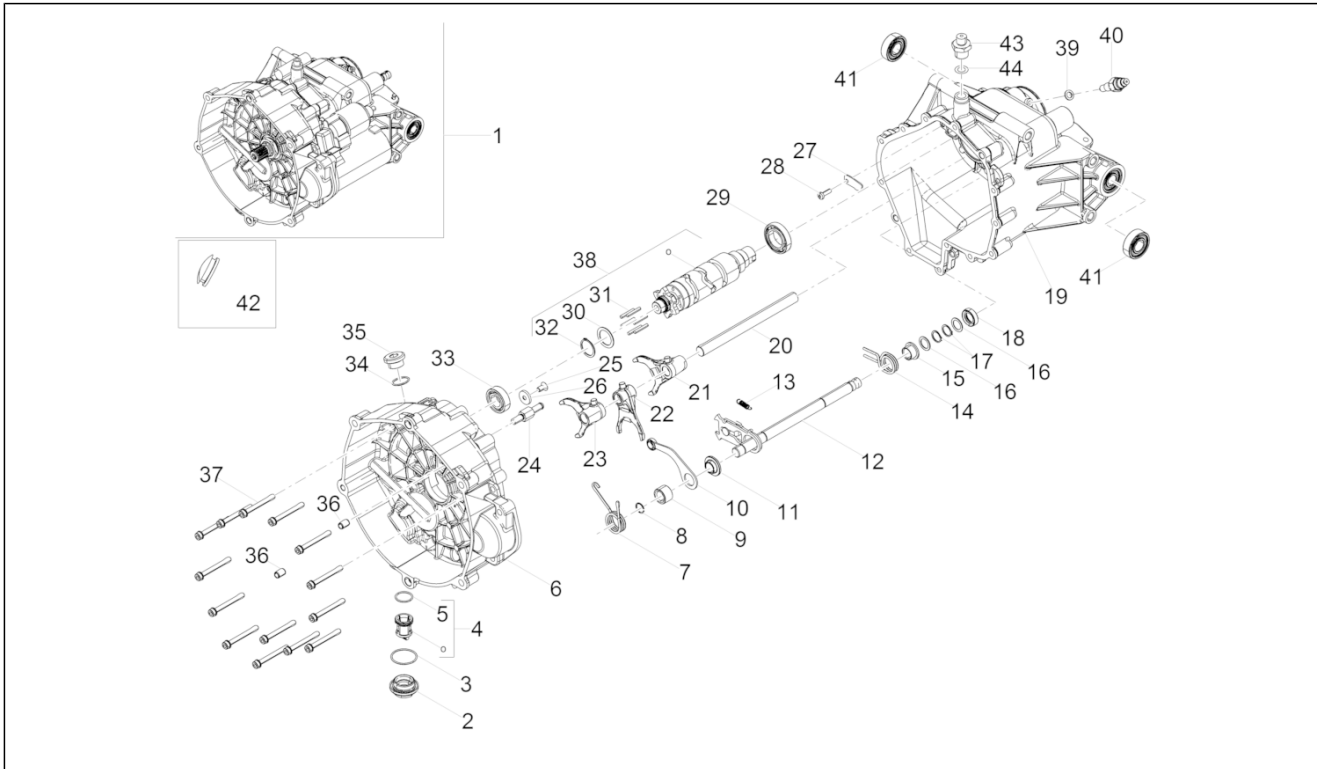
Pos.	Code	Description	Qty	Variants
1	1A004036	Crankshaft cpl.	1	
2	1A0066690N	Rear main half-bearing, black	2	
2	1A0066690V	Rear main half-bearing, green	2	
2	1A0066690G	Rear main half-bearing, yellow	1	
3	1A0066680G	Front main half-bearing, yellow	1	
3	1A0066680N	Front main half-bearing, black	1	
3	1A0066680V	Front main half-bearing, green	1	

Group	Engine
Code	03.170
Description	Gear box / Selector / Shift cam
Service	1



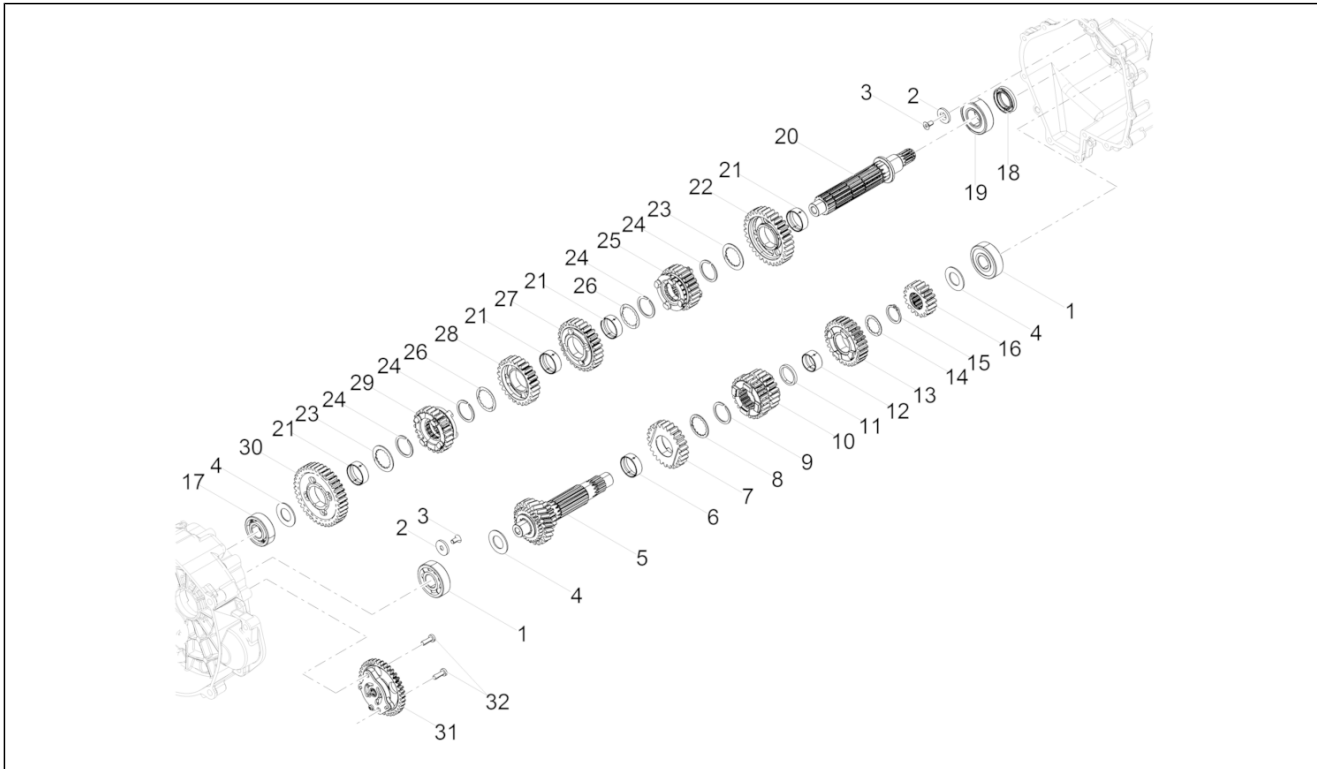
Pos.	Code	Description	Qty	Variants
1	2A0009125	Transmission, assy	1	
2	B015598	Oil filter plug	1	
3	285536	O-ring 31,47x1,78	1	
4	B018020	Oil filter cpl.	1	
5	B017406	O-ring 20.35x1.78	1	
6	2A0009105	Clutch drum	1	
7	B064113	Index spring	1	
8	GU90353014	Circlip	1	
9	GU05234230	Spacer	1	
10	B064112	Index assy. lever	1	
11	GU05238431	Bushing	1	
12	2A000219	Preselection complete	1	
13	GU05238231	Spring	1	
14	B063956	Spring	1	
15	2A000467	Spacer	1	
16	GU05239330	Fifth wheel	2	
17	GU90271014	Circlip	2	
18	GU90401424	Gasket ring 14x24x7	1	
19	2A0009085	Gear box	1	
20	2A000224	Rod	1	
21	2A000226	Fork 2-3 speed	1	
22	2A000227	5-6 gear fork	1	
23	2A000225	Fork for secondary shaft	1	
24	2A000415	Set screw	1	
25	B013608	Screw	1	
26	873905	Washer	1	
27	2A000306	Lock plate	1	
28	2A000241	Screw M5x16	1	

Group	Engine
Code	03.170
Description	Gear box / Selector / Shift cam
Service	1



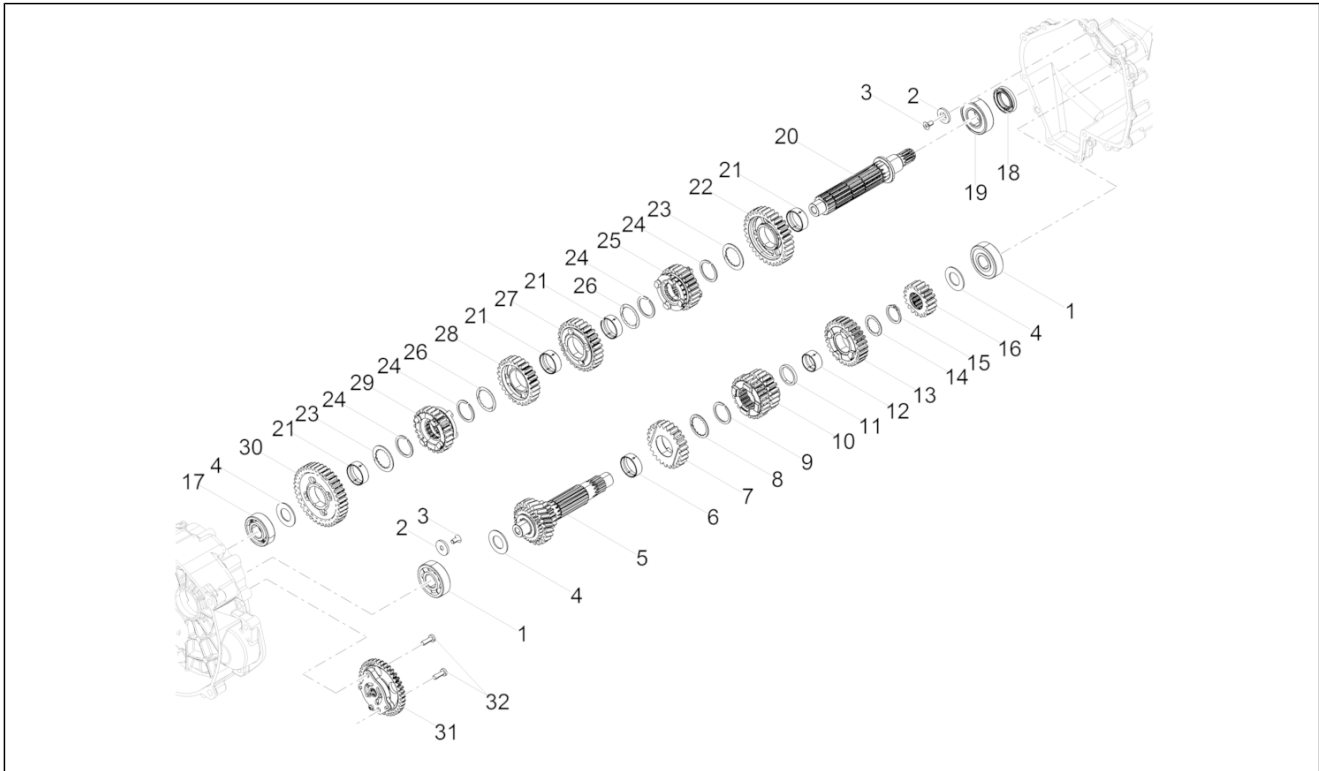
Pos.	Code	Description	Qty	Variants
29	857250	Ball bearing 25x42x9	1	
30	GU05235531	Tickness	1	
31	GU05234631	Pin	6	
32	GU90271022	Circlip	1	
33	834764	Bearing	1	
34	GU90706203	O-ring 20,24X2,62	1	
35	GU12022600	Oil plug	1	
36	GU19002020	Bushing 6,6x9x13	2	
37	2A000591	Special hex socket screw M6x55	14	
38	2A000222	Shift cam cpl.	1	
39	B063025	Gasket 8.7x14.2x1.3	1	
40	B063269	Sensor	1	
41	2A000097	Ball bearing 6202-2RSH/C3 LHT23	2	
42	GU93180220	Cover	1	
43	2A000823	Breather plug	1	
44	GU01528930	Gasket 10x18x1,5	1	

Group	Engine
Code	03.180
Description	Gear box - Gear assembly
Service	1



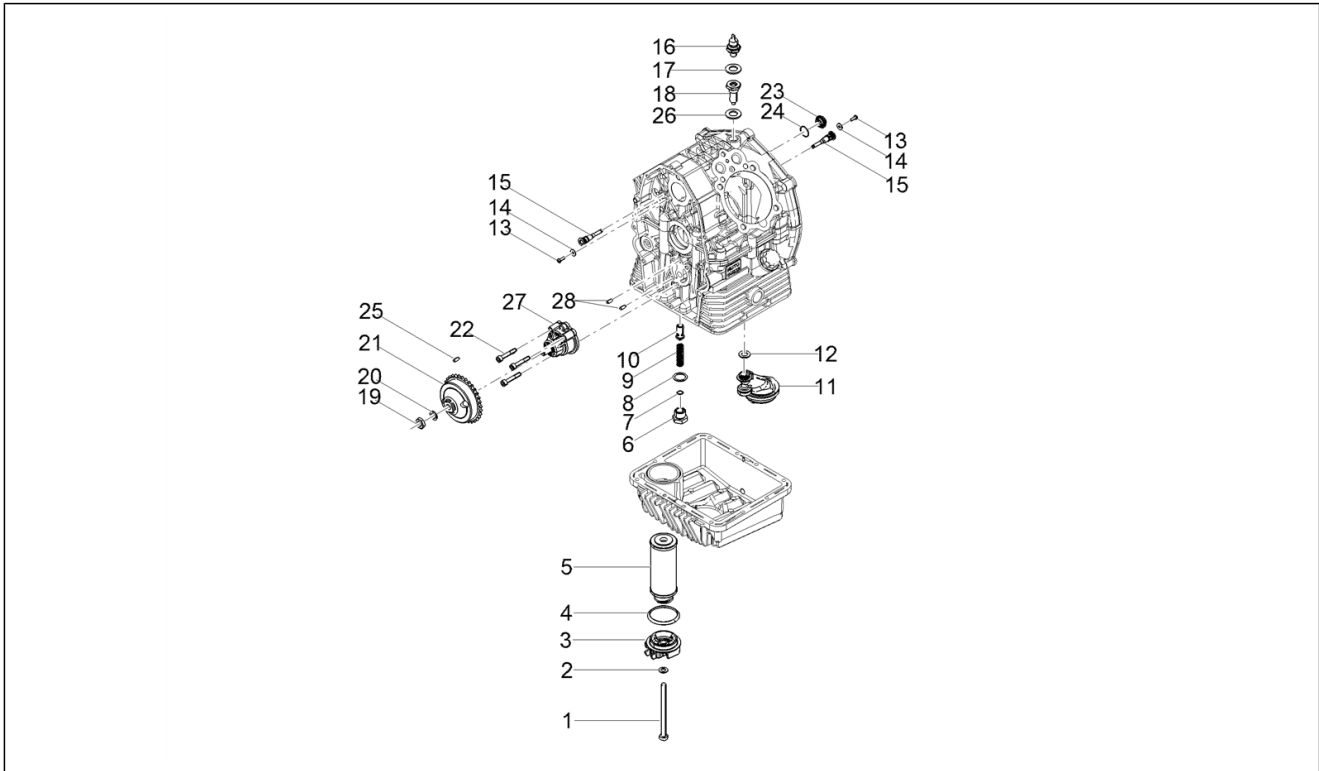
Pos.	Code	Description	Qty	Variants
1	GU92201822	Ball bearing 20x52x15	2	
2	873928	Washer	2	
3	B013608	Screw	2	
4	1A000566	Thrust washer	1	
5	2A000625	Primary gear shaft	1	
6	849308	Moveable bush	1	
7	1A000360	Fifth speed gear	1	
8	849424	Clearance washer	1	
9	1A002604	Shaft snap ring	1	
10	1A000436	Sliding pinion 3a - 4a vel.	1	
11	B015040	Thrust washer	1	
12	974162	Moveable bush	1	
13	2A000627	Gear 6a	1	
14	849396	Clearance washer	1	
15	974165	Snap ring	1	
16	1A000365	2nd pinion gear	1	
17	848650	Ball bearing 20x47x14	1	
18	GU90412541	Gasket ring 25X40X7	1	
19	GU92201226	Ball bearing 25x52x15	1	
20	2A000203	Secondary gearbox shaft	1	
21	849308	Moveable bush	4	
22	1A000366	Second speed gear Z=32	1	
23	849309	Clearance washer	2	
24	1A002604	Shaft snap ring	4	
25	1A000370	Gear 6a Z=24	1	
26	849310	Clearance washer	2	
27	1A000367	Third speed gear Z=28	1	
28	1A000368	Fourth speed gear Z=26	1	

Group	Engine
Code	03.180
Description	Gear box - Gear assembly
Service	1



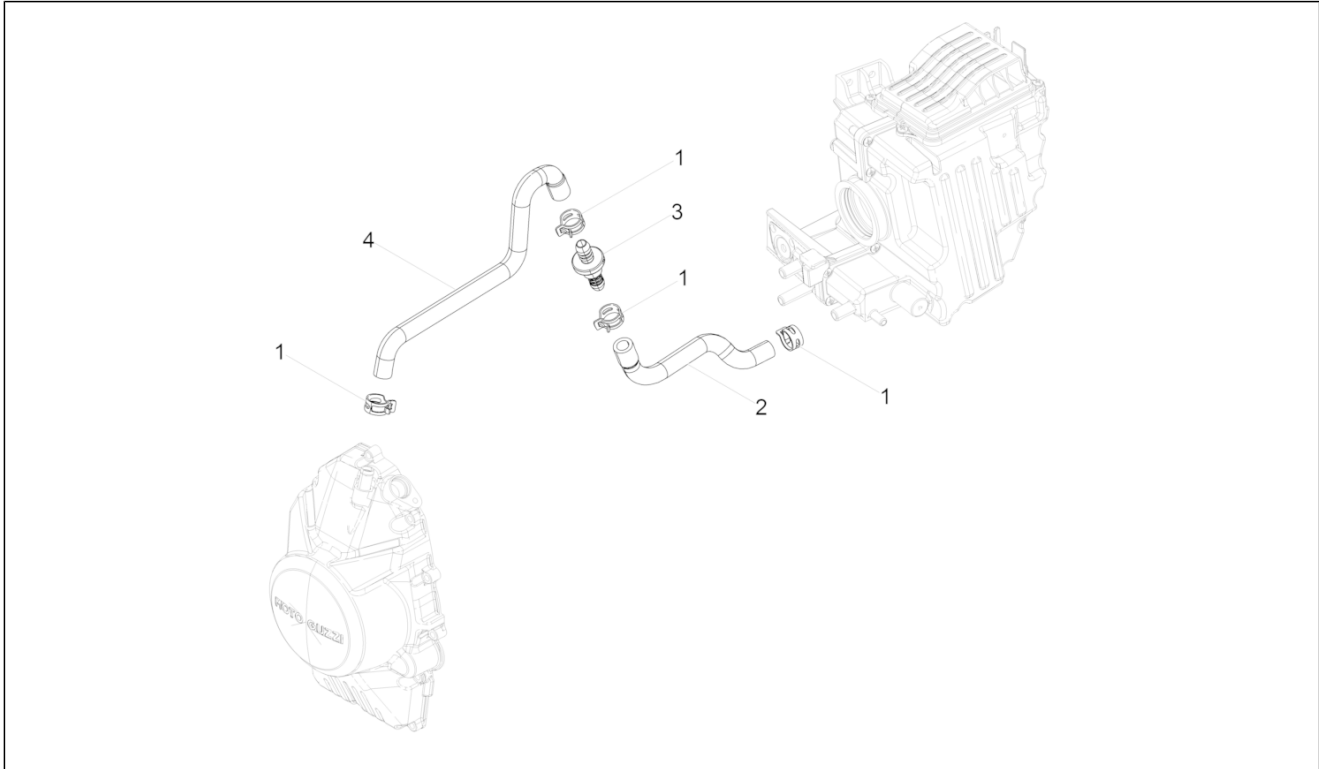
Pos.	Code	Description	Qty	Variants
29	1A000369	Fifth speed gear Z=24	1	
30	2A000629	1st gear	1	
31	B018448	Oil pump assy.	1	
32	2A000241	Screw M5x16	2	

Group	Engine
Code	03.190
Description	Lubrication
Service	1



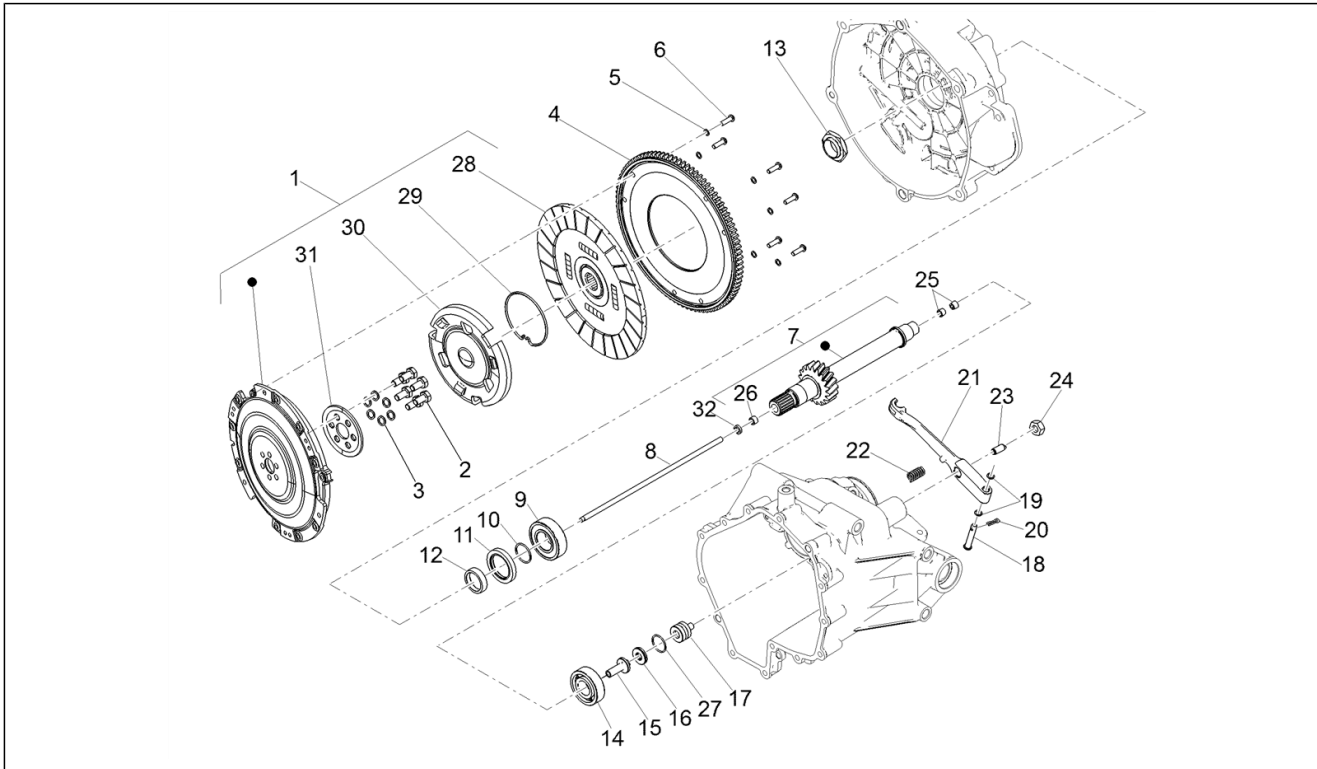
Pos.	Code	Description	Qty	Variants
1	GU27152885	Bolt	1	
2	GU12154200	Gasket 8,25x15x1	1	
3	1A005199	Oil filter cover	1	
4	GU90706444	O-ring	1	
5	2A000633	Oil filter	1	
6	GU31159050	Cover	1	
7	GU95008206	Washer 6,15x11x0,8	1	
8	GU18144350	Washer 18,25x24x1	3	
9	GU94321079	Spring	1	
10	1A014844	Oil pressure adjusting valve	1	
11	1A004549	Oil strainer	1	
12	237553	O-ring	1	
13	1A005257	Oval head screw torx	2	
14	013763	Flat washer 4,2x12x1	2	
15	1A004442	Piston cooling jet	2	
16	643090	Minimum oil pressure sensor	1	Technical specification:[OLD][NEW]
17	GU95100309	Washer	1	Technical specification:[OLD][NEW]
18	887093	Union	1	Technical specification:[OLD]
19	GU92602510	Nut M10x1,25	1	
20	AP8152220	Washer	1	
21	GU20147710	Pump gear	1	
22	1A007008	Hex socket screw M6x35 preimpregnata	3	
23	826165	Oil filter plug	1	
24	285536	O-ring 31,47x1,78	1	
25	GU92296723	Roller	1	
26	GU95100602	Gasket	1	Technical specification:[OLD]
27	1A006053	Oil pump assembly	1	
28	GU19018920	Pin	2	

Group	Engine
Code	03.196
Description	Blow-by system
Service	1



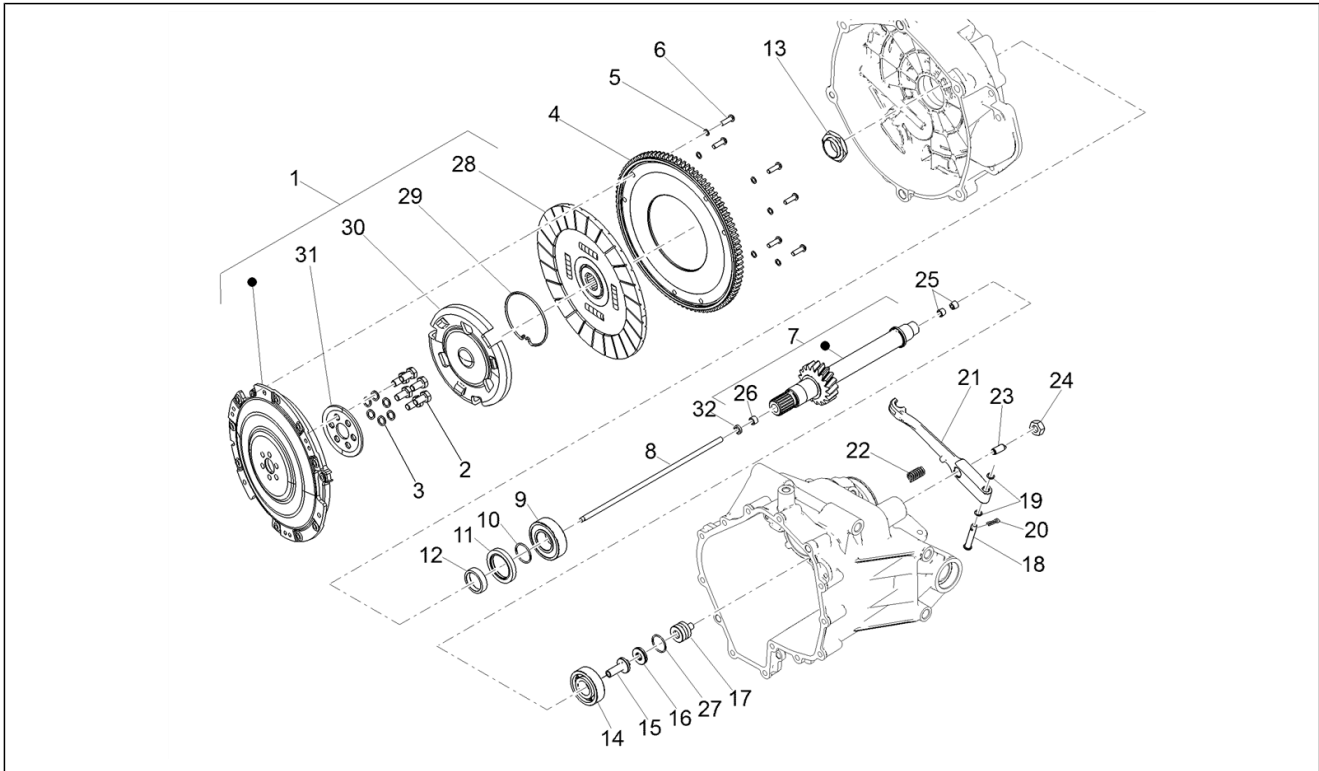
Pos.	Code	Description	Qty	Variants
1	CM226902	Spring clamp 19/12	4	
2	2B003204	Blow-by pipe	1	
3	2B003105	Anti-return valve	1	
4	2B002602	Blow-by pipe	1	

Group	Engine
Code	03.230
Description	Clutch
Service	1



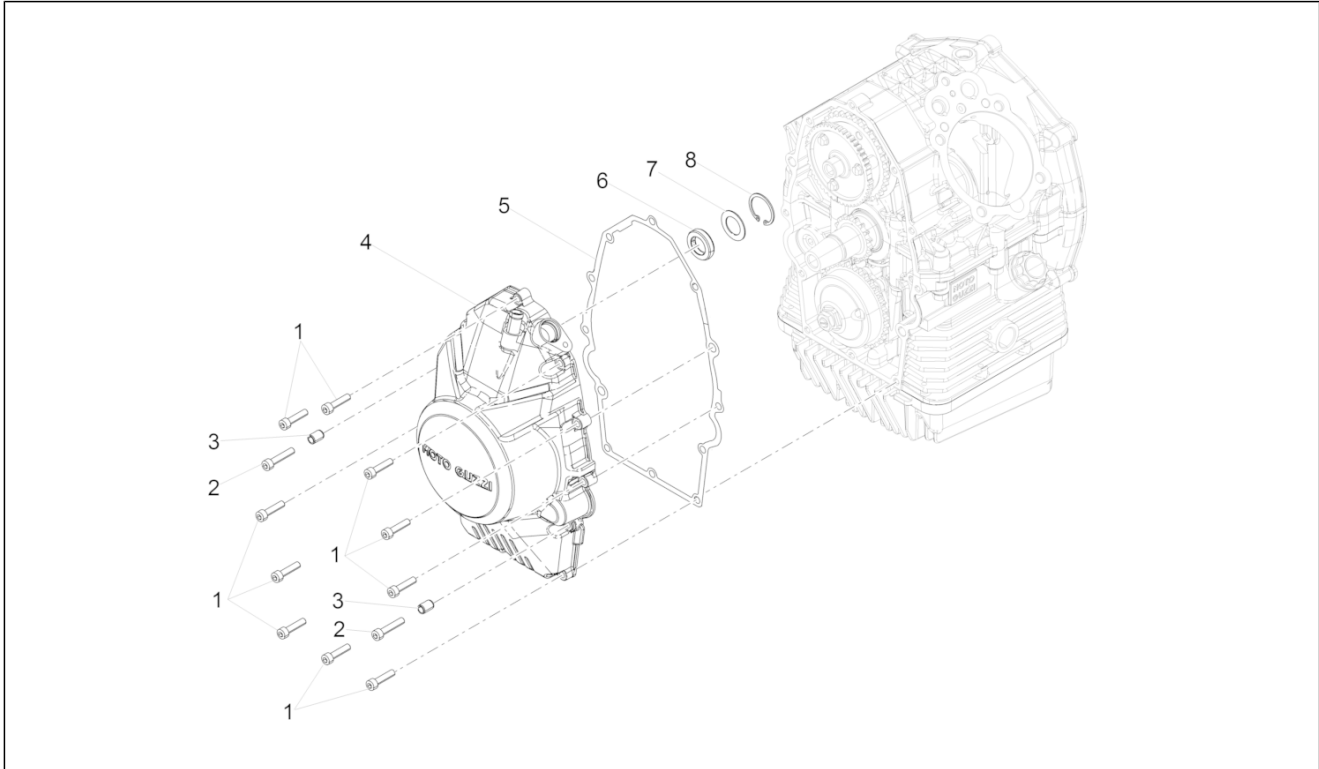
Pos.	Code	Description	Qty	Variants
1	2A000419	Complete single plate clutch assembly	1	
2	GU19067700	screw	6	
3	GU14615901	Washer 8,4X13X0,8	6	
4	2A000724	Starter ring gear	1	
5	GU14217901	Washer 6,4x10x0,7	6	
6	2A000774	Oval head torx screw M6X20	6	
7	2A000790	Clutch shaft, Z=18	1	
8	2A000216	Drive rod	1	
9	GU92201226	Ball bearing 25x52x15	1	
10	GU90706235	O-ring 23,52x1,78	1	
11	886629	Gasket ring	1	
12	1A008627	Spacer	2	
13	1A014685	Nut M25x1,5	1	
14	2A000375	Ball bearing	1	
15	B013037	Clutch gear	1	
16	2A000376	Thrust bearing	1	
17	GU14086100	Outer body	1	
18	2A000384	Lever pin	1	
19	2A000385	O-ring 6.5x1.5	2	
20	GU95500222	Split pin	1	
21	2A000631	Clutch release shaft	1	
22	GU94321105	Lever return spring	1	
23	2A000838	Adjuster screw	1	
24	GU92606508	Nut	1	
25	GU14085900	Bush	2	
26	GU05217630	Bushing	1	
27	GU90706170	O-ring 17,13x2,62	1	
28	2A000770	Driven clutch disc	1	

Group	Engine
Code	03.230
Description	Clutch
Service	1



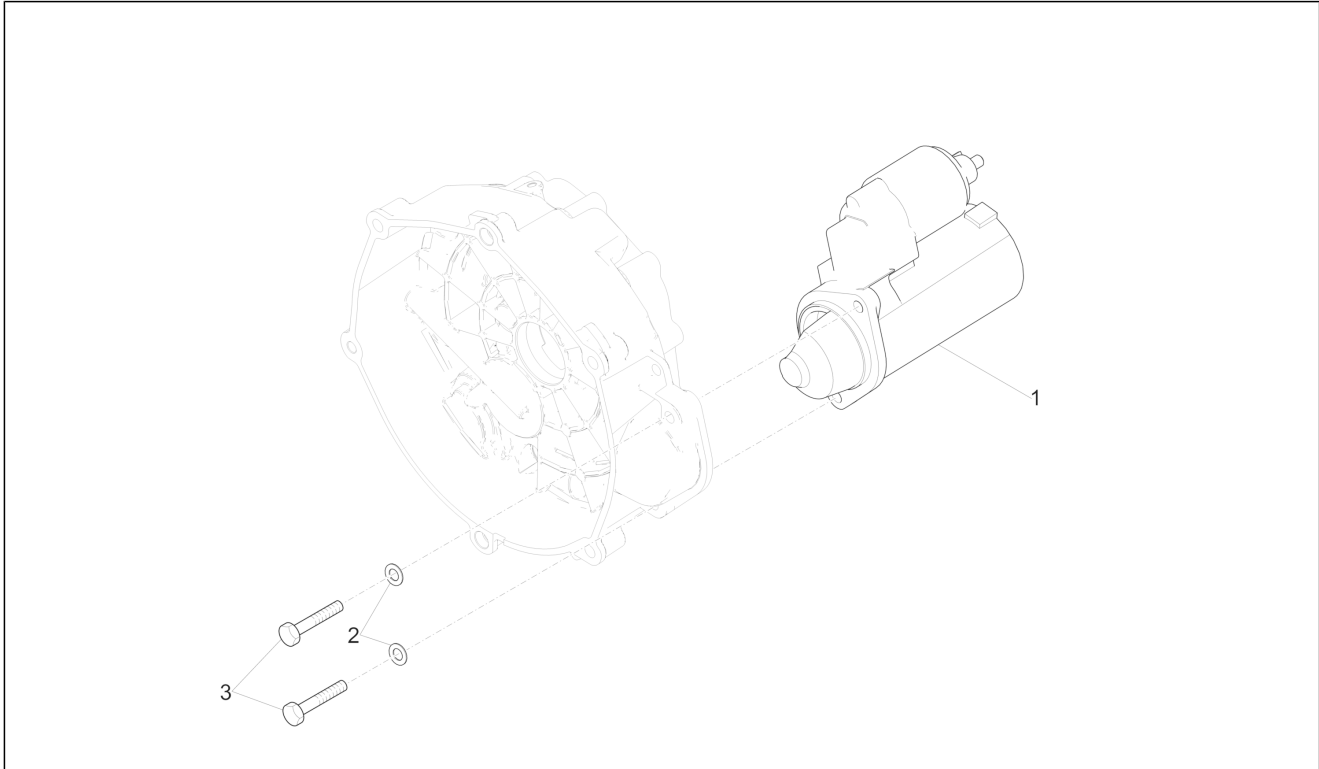
Pos.	Code	Description	Qty	Variants
29	2A000418	Ring	1	
30	2A000638	Spring cap	1	
31	2A000741	Support	1	
32	2A000378	Gasket ring	1	

Group	Engine
Code	03.270
Description	Flywheel cover
Service	1



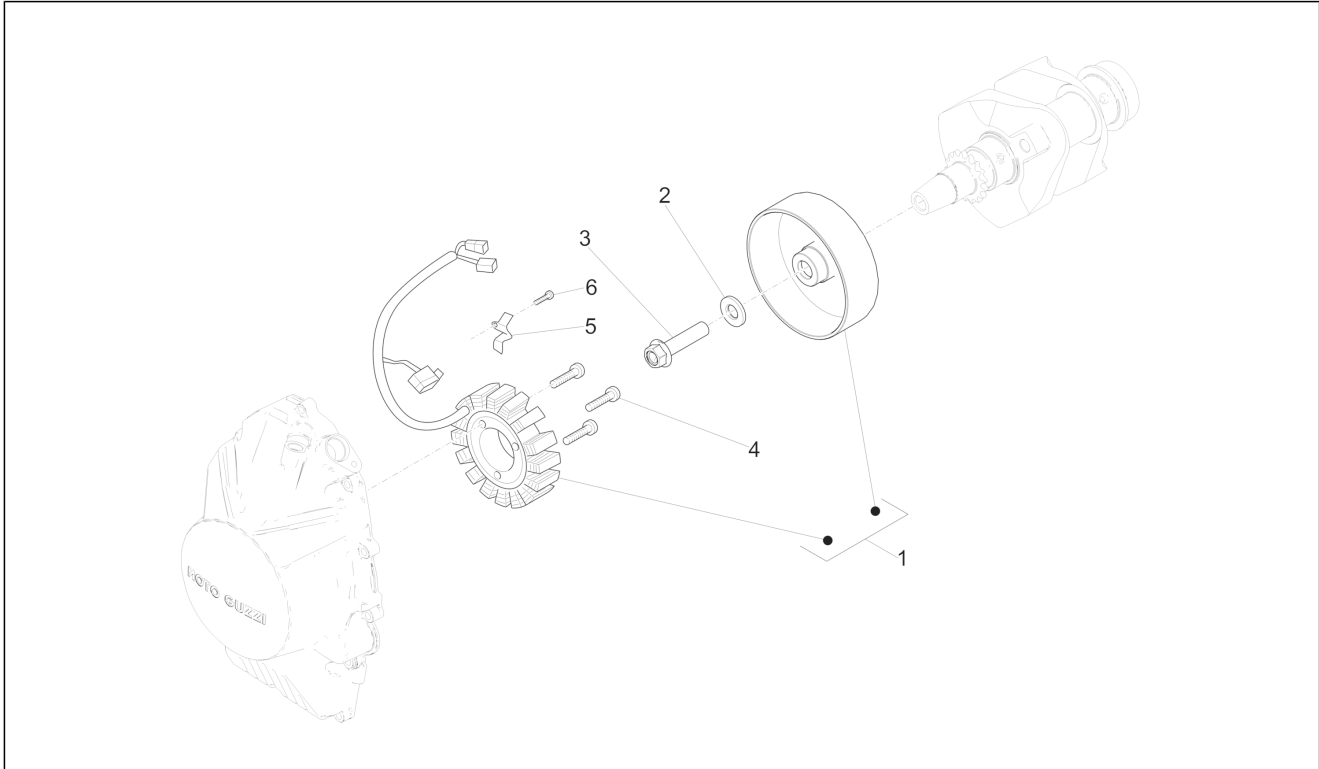
Pos.	Code	Description	Qty	Variants
1	GU98682325	Hex socket screw M6x25	10	
2	GU98682330	Hex socket screw M6x20	2	
3	GU19002020	Bushing 6,6x9x13	2	
4	1A006298	Cover	1	
5	887003	Cover gasket	1	
6	898268	Gasket ring 18x30x7	1	
7	898269	Clearance washer	1	
8	006630	Snap ring	1	

Group	Engine
Code	03.290
Description	Starter / Electric starter
Service	1



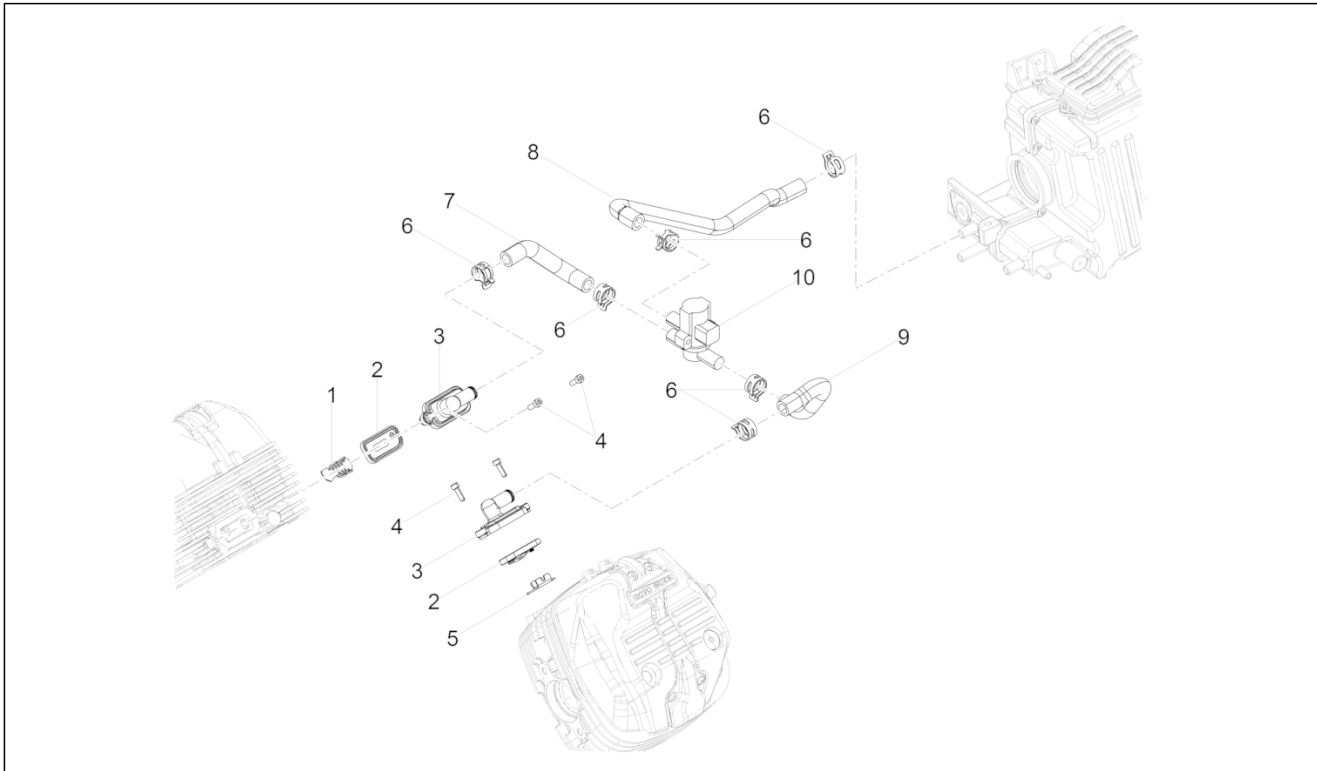
Pos.	Code	Description	Qty	Variants
1	97729R	Starter motor	1	
2	GU95008208	Washer 8,4X15X1,5	2	
3	GU98682435	Hex socket screw	2	

Group	Engine
Code	03.300
Description	Cdi magneto assy / Ignition unit
Service	1



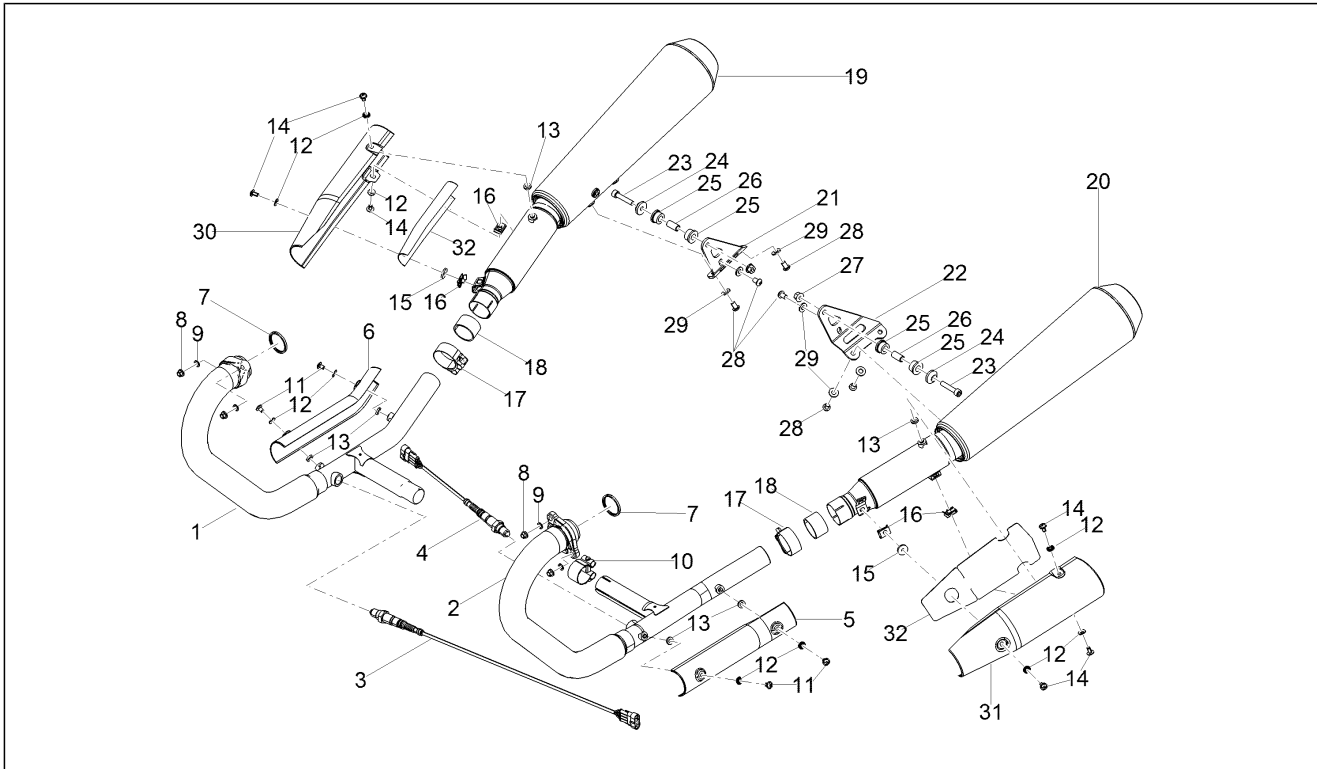
Pos.	Code	Description	Qty	Variants
1	2D000024	Cdi magneto assy	1	
2	897478	Washer 12x26.5x3	1	
3	857206	Screw w/ flange M12X1,25X50	1	
4	2A000129	Low head socket screw M6x35	3	
5	2A000115	Plate	1	
6	GU98682212	Hex socket screw M5x12	1	

Group	Engine
Code	03.320
Description	Secondary air
Service	1



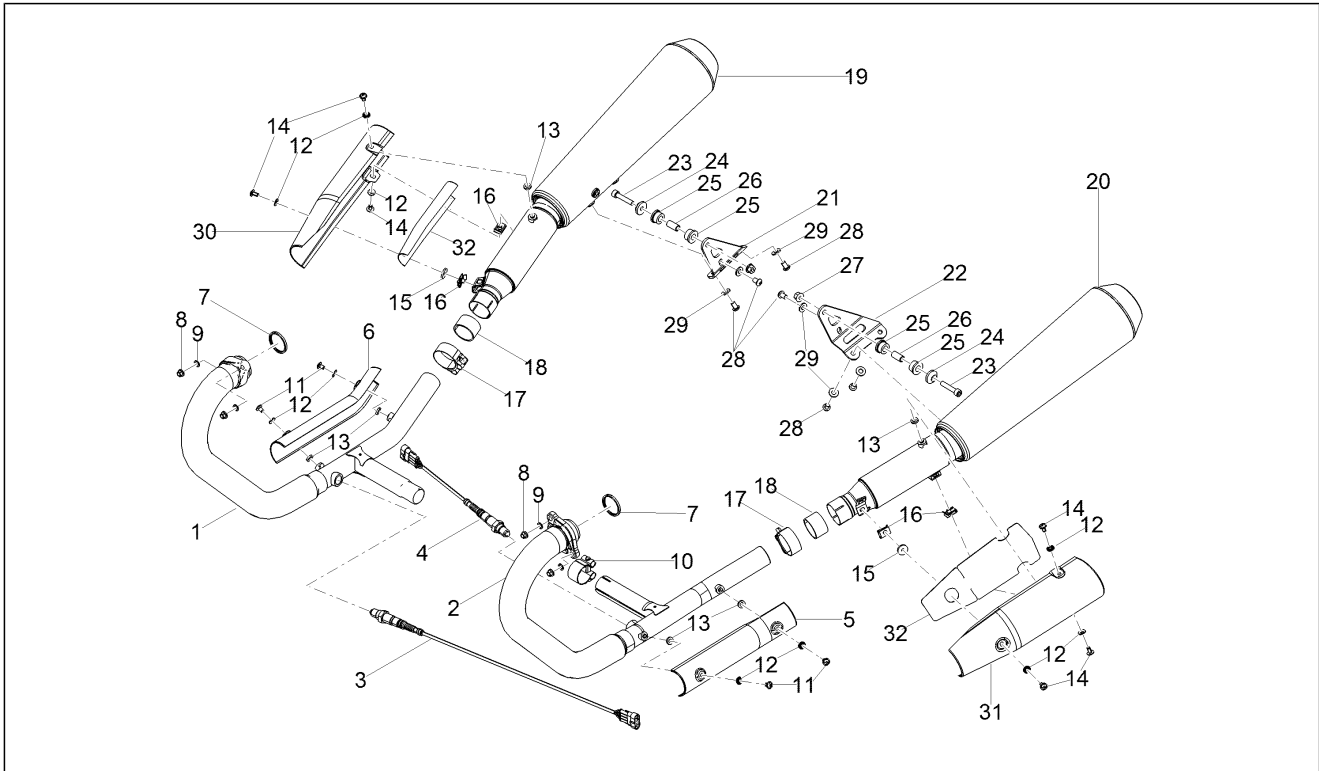
Pos.	Code	Description	Qty	Variants
1	857047	Spark arrester	1	
2	857045	Reed valve	2	
3	2A000597	Cover	1	
4	GU98612216	Hex socket screw	2	
5	857046	Spark arrester	1	
6	CM226902	Spring clamp 19/12	6	
7	2B002529	RH pipe "S.A.S."	1	
8	2B002531	Filter box pipe "S.A.S."	1	
9	2B002530	LH pipe "S.A.S."	1	
10	857181	SAS valve	1	

Group	Engine
Code	03.330
Description	Exhaust pipe
Service	1



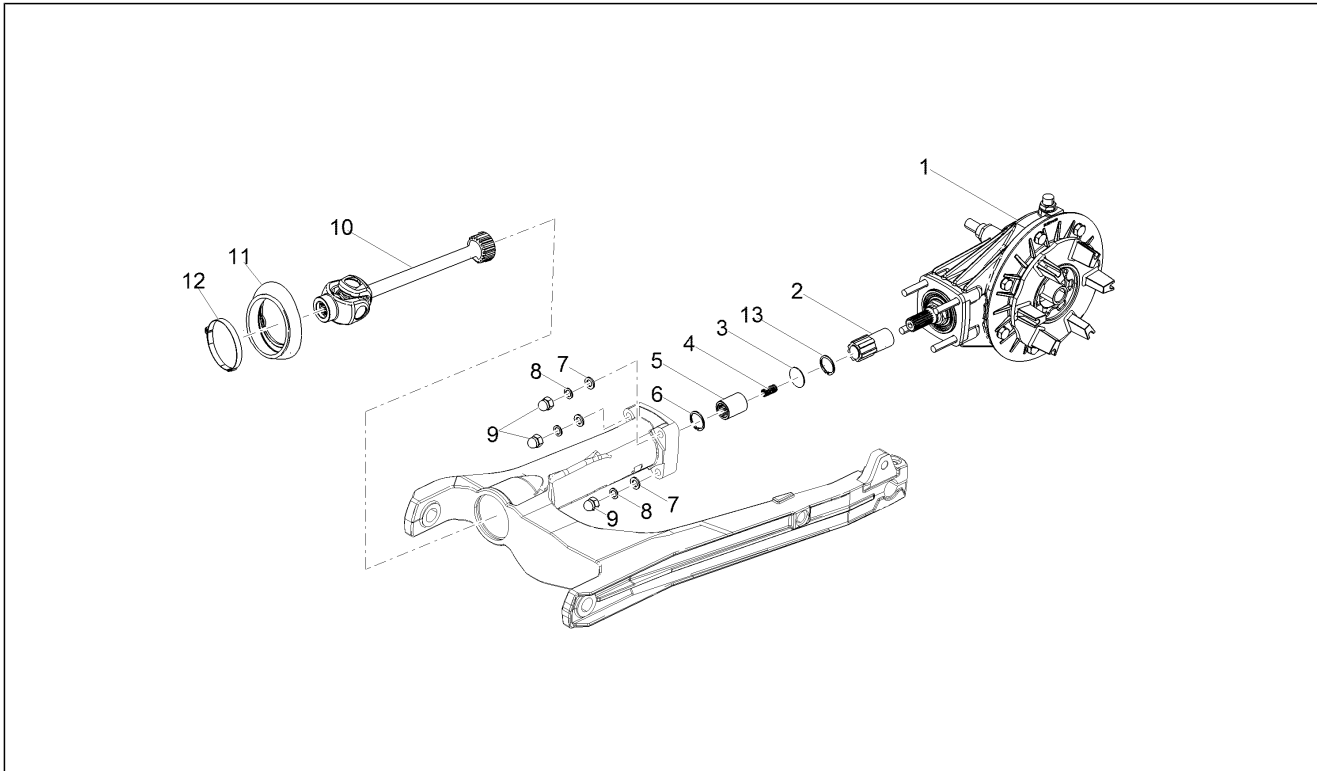
Pos.	Code	Description	Qty	Variants
1	2B003148	Right exhaust manifold	1	
2	2B003147	Left exhaust manifold	1	
3	896110	Lamda sensor (L. 660 mm)	1	
4	584344	Lamda sensor (L. 325 mm)	1	
5	2B0035275	LH manifold shield	1	
6	2B0035285	RH manifold shield	1	
7	852090	Exhaust pipe gasket	2	
8	GU92660021	Flanged nut M8	4	
9	GU14615901	Washer 8,4X13X0,8	4	
10	B063292	D.37 clamp	1	
11	2B002187	Hex socket screw M6x10	4	
12	834951	Conical washer	10	
13	876879	Spacer	6	
14	2B004031	TBEI flanged screw M6x12	6	
15	AP8120870	Insulating washer	4	
16	254485	Spring plate M6	4	
17	840370	Hose clamp	2	
18	GU91113826	Bushing	2	
19	2B0042635	RH silencer	1	Country:Spain[ES]
19	2B0031505	RH silencer	1	Country:Argentina[AR] Great Britain[UK] europe[EU]
20	2B0042625	LH silencer	1	Country:Spain[ES]
20	2B0031495	LH silencer	1	Country:Argentina[AR] Great Britain[UK] europe[EU]
21	2B003152	Right silencer support bracket	1	
22	2B003151	Left silencer support bracket	1	
23	GU98690440	screw M8x40	2	
24	AP8134378	Silencer fixing bush	2	
25	AP8121072	Spacer	2	
26	AP8144071	Rubber exhaust	4	

Group	Engine
Code	03.330
Description	Exhaust pipe
Service	1



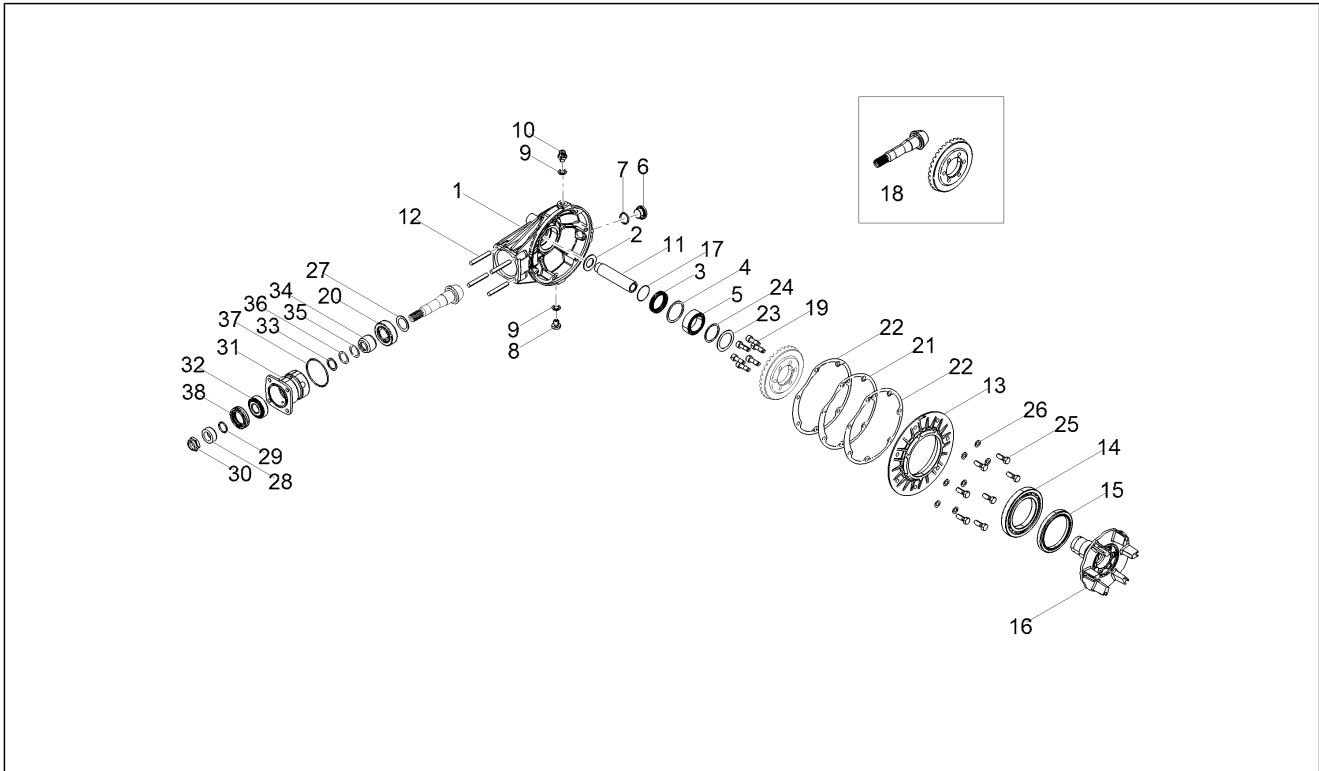
Pos.	Code	Description	Qty	Variants
27	967363	Nut M8x1,25	2	
28	AP8152055	Hex socket screw M8x12	6	
29	GU95008308	Washer	6	
30	2B0035515	RH silencer guard	1	
31	2B0035505	LH silencer guard	1	
32	2B003643	Thermal cover	2	

Group	Engine
Code	03.340
Description	Transmission complete
Service	1



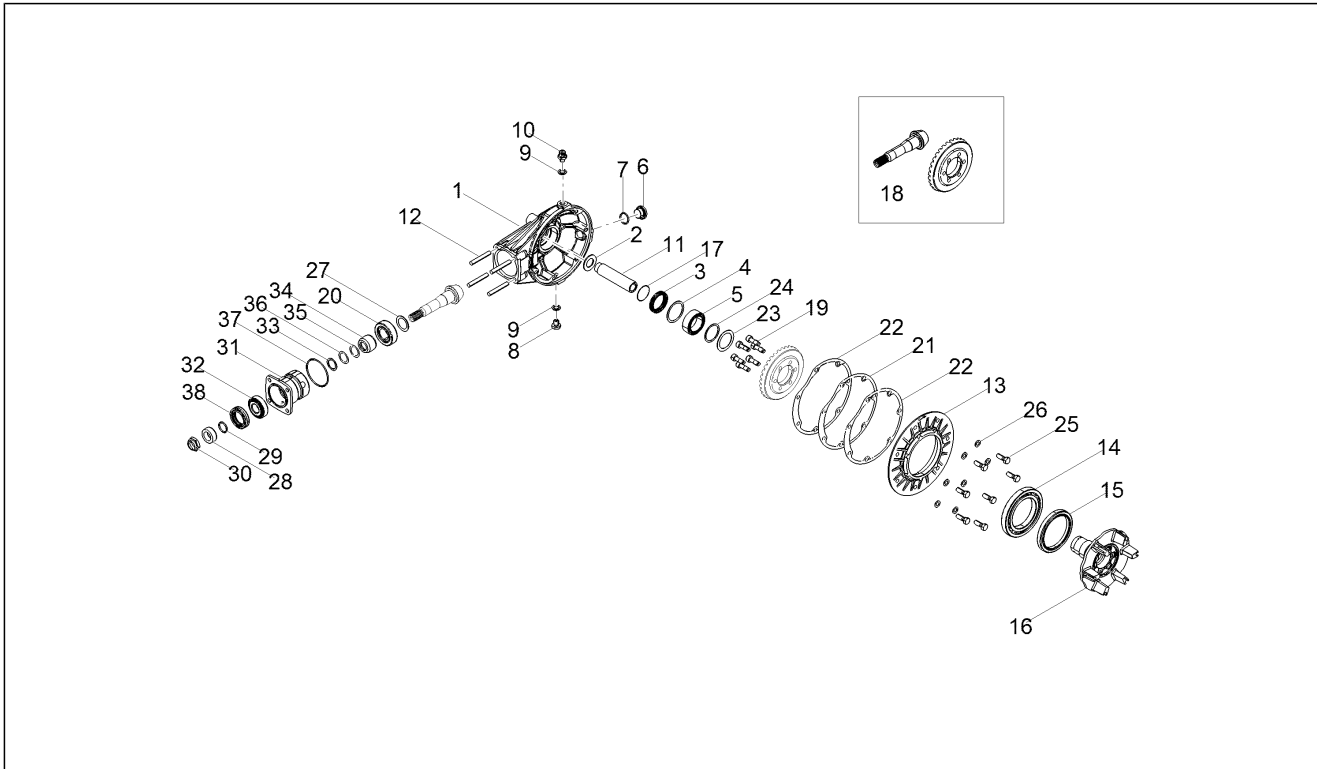
Pos.	Code	Description	Qty	Variants
1	2B0034845	Transmission complete	1	
2	GU31327783	Hose	1	
3	GU19327601	Disc	1	
4	GU94321099	Spring	1	
5	GU19328801	Hose	1	
6	GU23548180	Spring	1	
7	GU95005308	Washer 8,4x14,57x1,6	4	
8	GU14615901	Washer 8,4X13X0,8	4	
9	860651	Cap nut M8x1,25	4	
10	GU23328081	Coupling	1	
11	GU23548080	Protection collar	1	
12	AP8120246	Hose clamp D=60-80	1	
13	GU90272023	Circlip	1	

Group	Engine
Code	03.350
Description	Rear transmission / Components
Service	1



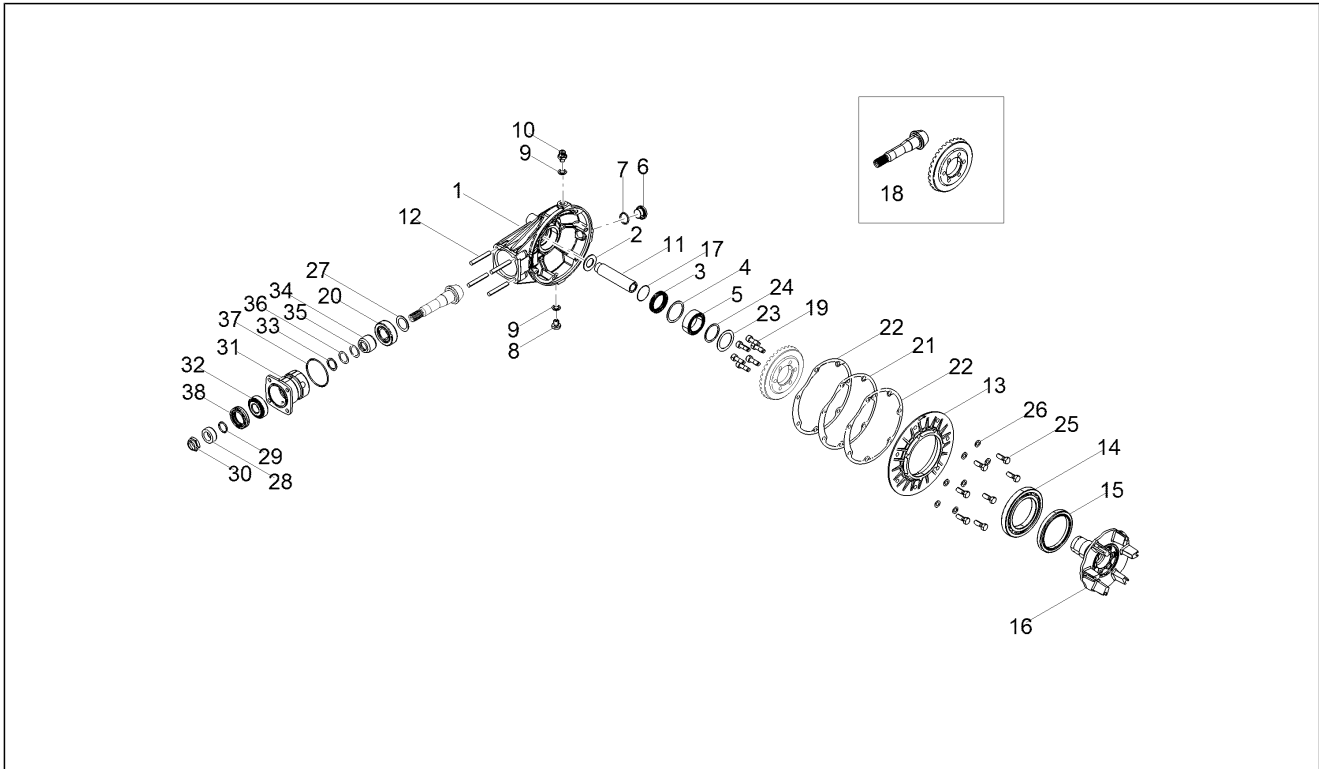
Pos.	Code	Description	Qty	Variants
1	976608	Transmission housingblack	1	
2	GU19351900	Clearance washer	1	
3	GU90403549	Gasket ring 35x47x7	1	
4	GU19351100	Clearance washer	1	
5	GU92252235	Roller bearing 35x50x17	1	
6	GU12022600	Oil plug	1	
7	GU90706203	O-ring 20,24X2,62	1	
8	GU31003766	Oil unload plug M10x1	1	
9	GU01528930	Gasket 10x18x1,5	2	
10	2A000438	Breather plug	1	
11	GU32633560	Spacer	1	
12	GU96508055	Stud bolt	4	
13	GU32350410	Cover	1	
14	GU92201070	Ball bearing 70x110x13	1	
15	GU90407591	Gasket ring 75x95x10	1	
16	2B0034855	Flexible couplings hub	1	
17	GU90353030	Stop ring	1	
18	GU32354610	Bevel gear 8/33	1	
19	2B004014	Pre-coated M8X25 SHC screw	6	
20	GU92249227	Tap.roller bearing 25x5	1	
21	2B002318	Tickness 0,2 mm	1	
21	2B002319	Tickness 0,3 mm	1	
21	2B002320	Tickness 0,4 mm	1	
21	2B002424	Tickness 0,5 mm	1	
21	2B002425	Tickness 0,6 mm	1	
21	2B002426	Tickness 0,7 mm	1	
21	GU19355400	Tickness 0,8 mm	1	
21	GU19355402	Tickness 0,9 mm	1	

Group	Engine
Code	03.350
Description	Rear transmission / Components
Service	1



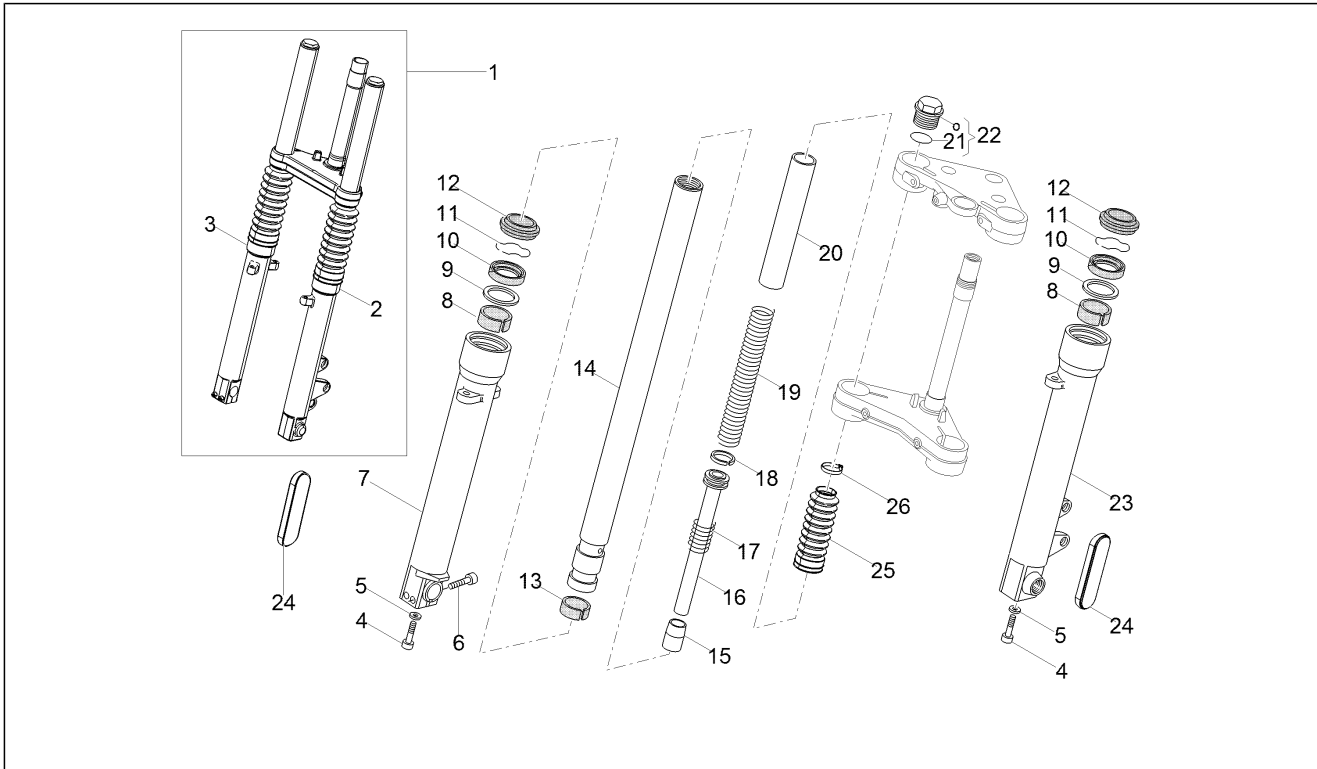
Pos.	Code	Description	Qty	Variants
21	GU19355404	Tickness 1 mm	1	
21	GU19355406	Tickness 1,1 mm	1	
21	GU19355408	Tickness 1,2 mm	1	
21	GU19355410	Tickness 1,3 mm	1	
21	GU19355411	Tickness 1,4 mm	1	
21	GU19355412	Tickness 1,5 mm	1	
21	GU19355413	Tickness 1,6 mm	1	
22	2A000382	Gasket	2	
23	GU19352300	Thrust washer	1	
24	GU19353500	Thrust washer	1	
25	GU19357660	screw	7	
26	GU61270300	Spring washer 8x15x0,3	7	
27	GU19355320	Tickness 1 mm	1	
27	GU19355321	Tickness 1,1 mm	1	
27	GU19355322	Tickness 1,2 mm	1	
27	GU19355323	Tickness 1,3 mm	1	
27	GU19355324	Tickness 1,4 mm	1	
27	GU19355325	Tickness 1,5 mm	1	
27	GU19355326	Tickness 1,6 mm	1	
27	GU19355327	Tickness 1,7 mm	1	
27	GU19355328	Tickness 1,8 mm	1	
27	GU19355329	Tickness 1,9 mm	1	
28	2B003486	Spacer	1	
29	GU90706188	Gasket ring 18,77X1,78	1	
30	GU19356700	Nut	1	
31	GU20352421	Flange	1	
32	GU92249220	Roller bearing 20x47x14	1	
33	GU19355300	Tickness 1 mm	1	

Group	Engine
Code	03.350
Description	Rear transmission / Components
Service	1



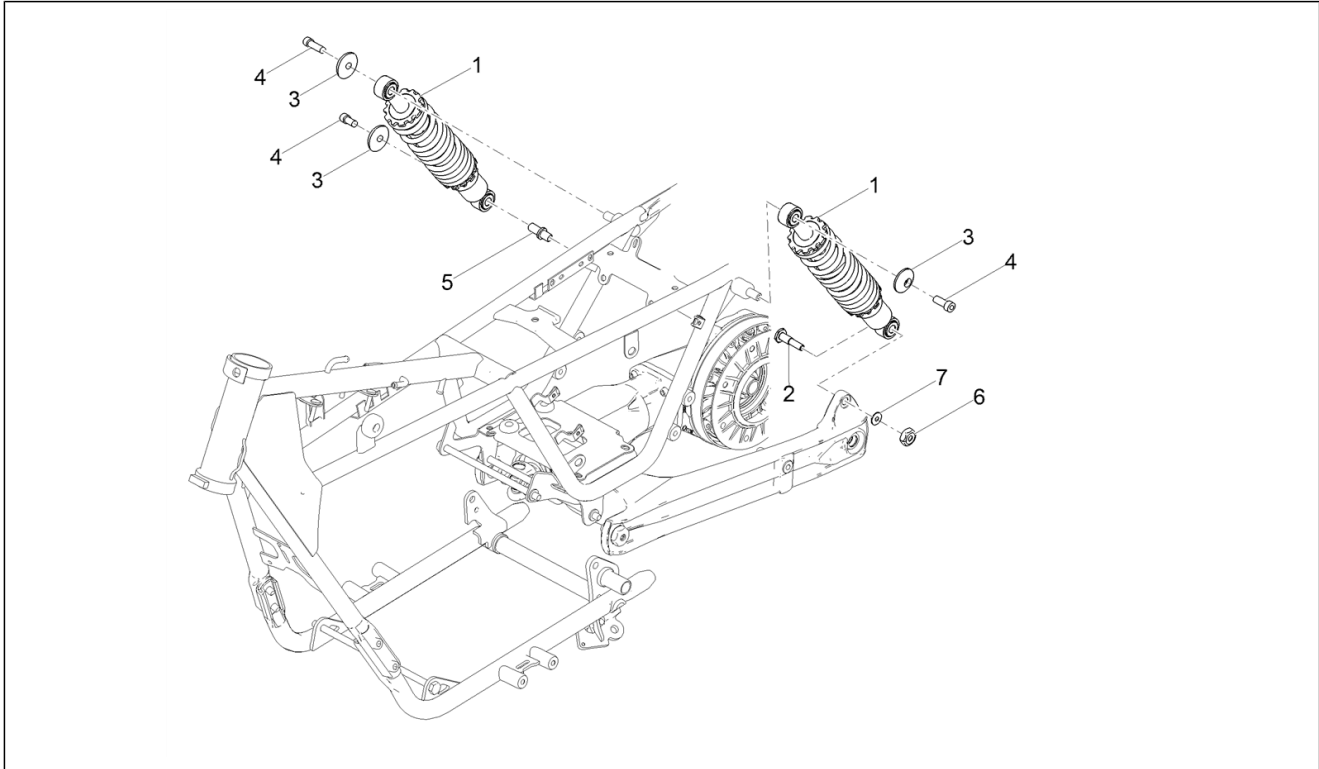
Pos.	Code	Description	Qty	Variants
33	GU19355301	Tickness 1,1 mm	1	
33	GU19355302	Tickness 1,2 mm	1	
33	GU19355303	Tickness 1,3 mm	1	
33	GU19355304	Tickness 1,4 mm	1	
33	GU19355305	Tickness 1,5 mm	1	
33	GU19355306	Tickness 1,6 mm	1	
33	GU19355307	Tickness 1,7 mm	1	
33	GU19355308	Tickness 1,8 mm	1	
33	GU19355309	Tickness 1,9 mm	1	
34	GU20355121	Spacer	1	
35	GU19355200	Shim 0,1 mm	1	
36	GU19355202	Shim 0,15 mm	1	
37	GU90706584	Gasket 58,42x2,62	1	
38	GU90403251	Gasket ring 32x47x10	1	

Group	Suspensions
Code	04.060
Description	Front fork Kaifa
Service	1



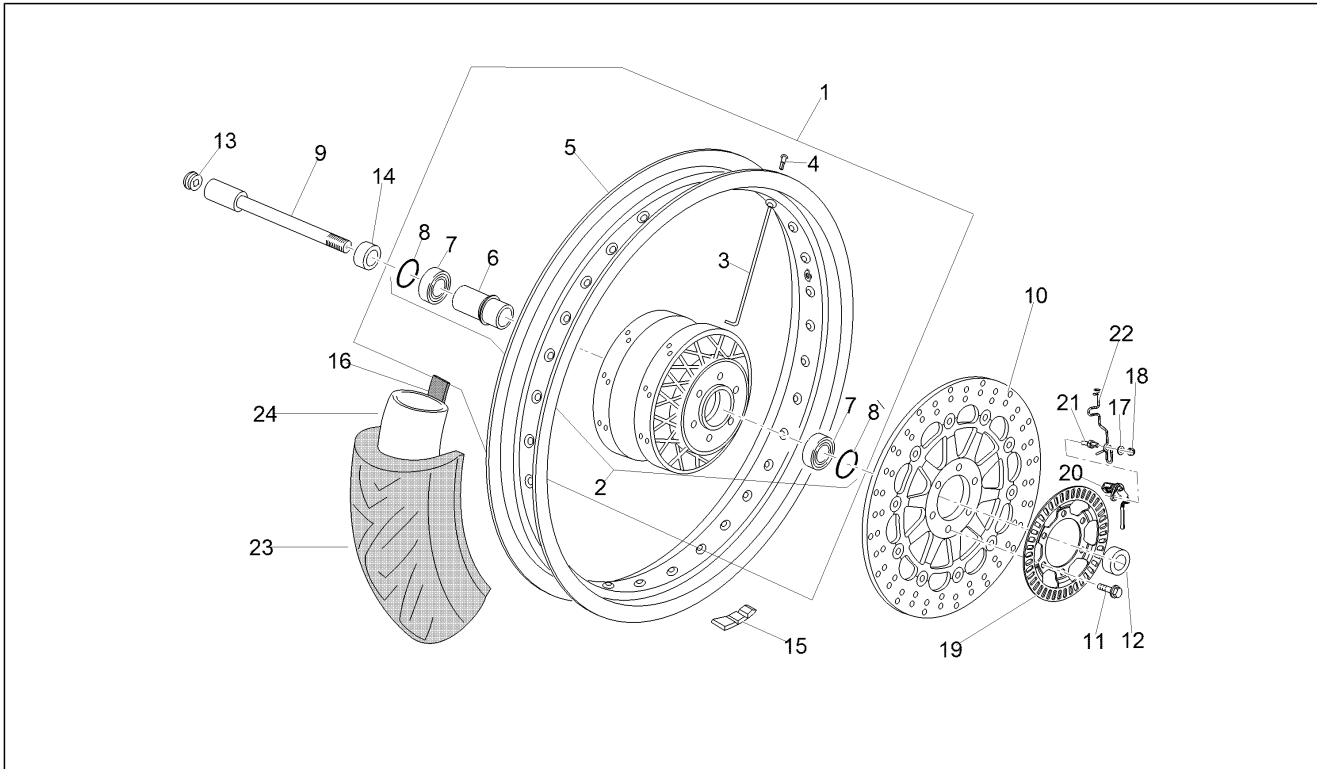
Pos.	Code	Description	Qty	Variants
1	2B003251	Front fork	1	
2	2B003952	LH sleeve and rod	1	
3	2B003948	RH sleeve and rod	1	
4	887878	screw M10x30	2	
5	887879	Washer	2	
6	AP8150285	Hex socket screw M6x35	2	
7	2R000109	RH sleeve	1	
8	887882	Upper bush	2	
9	887883	Washer	2	
10	887884	Gasket ring	2	
11	887885	Stop ring	2	
12	887886	Dust cover	2	
13	887888	Bush	2	
14	2B001591	Sleeve	2	
15	887889	Pad	2	
16	887891	Plunger, complete	2	
17	887890	Return spring	2	
18	887905	Ring	2	
19	2R000243	Spring	2	
20	887893	pipe	2	
21	887916	O-ring 4118	2	
22	887894	Plug cpl.	2	
23	2R000110	LH sleeve	1	
24	GU05781630	Reflector, amber	2	
25	2B003514	Anti-dust tube	2	
26	2B004068	Hose clamp	2	

Group	Suspensions
Code	04.080
Description	Shock absorber
Service	1



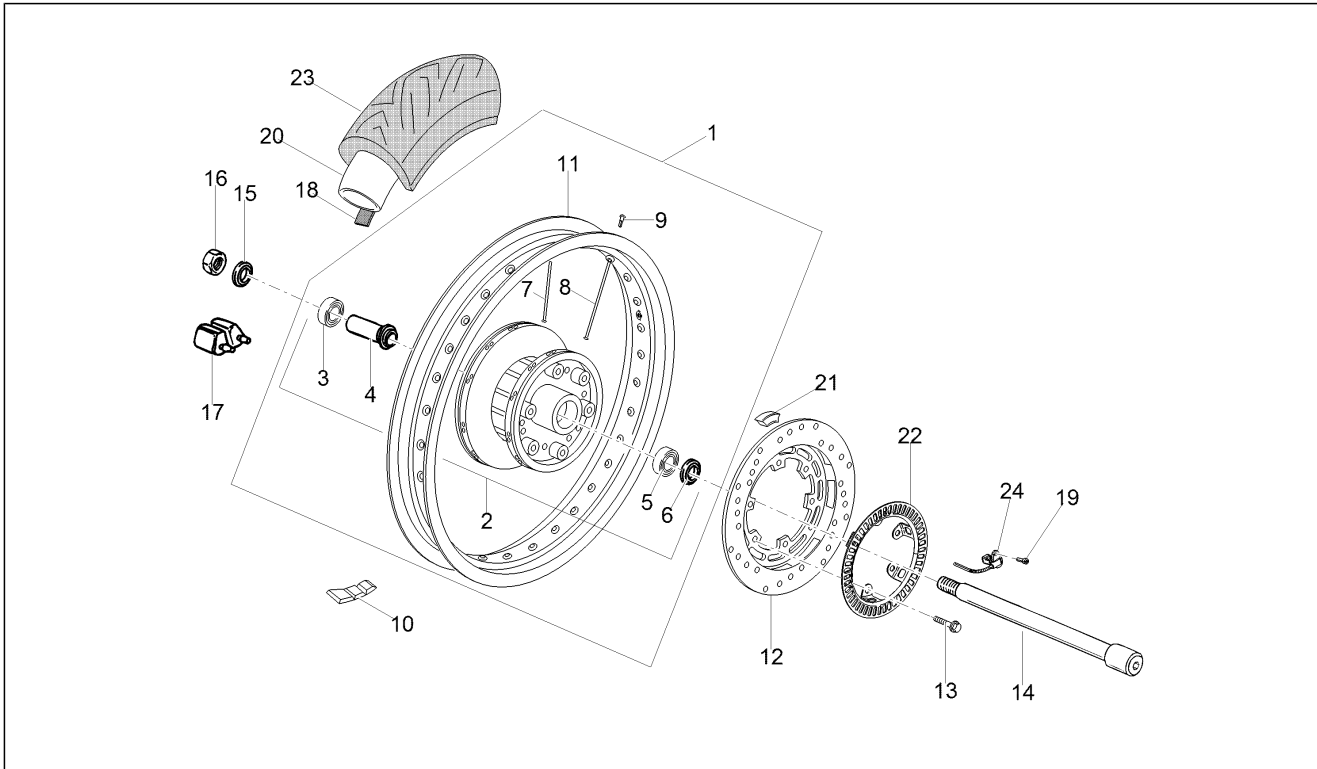
Pos.	Code	Description	Qty	Variants
1	2B002988	Rear shock absorber	2	
2	GU32555211	Pin	1	
3	B063174	Bush	3	
4	884031	Precoated SHC screw M6x14	3	
5	GU32555210	Pin	1	
6	GU92630510	Nut M10x1,5	1	
7	GU95129181	Washer	1	

Group	Wheels
Code	05.010
Description	Front wheel
Service	1



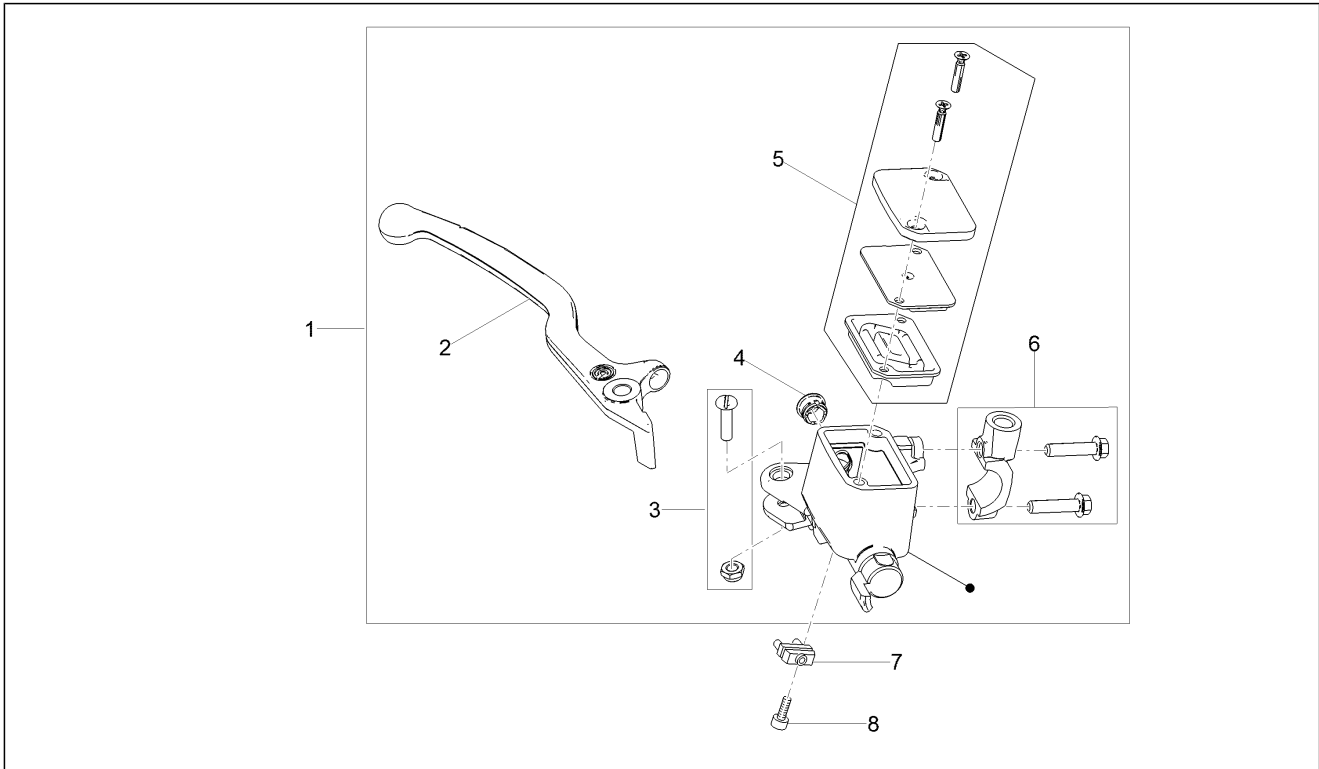
Pos.	Code	Description	Qty	Variants
1	2B0039375	Front wheel complete with bearings	1	
2	2B003701	Wheel hub	1	
3	B063144	Front wheel spoke	36	
4	GU03631250	Nipples	36	
5	B063077	Black front rim 2.5X18"	1	
6	GU31615283	Spacer	1	
7	GU92204221	Bearing	2	
8	GU90402642	Gasket ring	1	
9	GU31614183	Front wheel spindle	1	
10	883688	Front brake disc 320	1	
11	887762	Flanged TE screw M8x22	6	
12	GU31616384	LH spacer	1	
13	GU93180111	Cover 15 mm	1	
14	GU32615660	RH spacer	1	
15	GU14616150	Counterweight	1	
16	GU03612040	Tyre flap	1	
17	AP8150178	Washer 6,4x12,5*	1	
18	GU92630207	Nut	1	
19	887875	Phonic wheel	1	
20	859792	ABS sensor	1	
21	2B001708	Spacer	1	
22	2B001561	Fairlead	1	
23	2B0049715	Front/rear tyre 110/80/R18	1	
24	GU31610160	Inner tube MB 18	1	

Group	Wheels
Code	05.020
Description	Rear wheel
Service	1



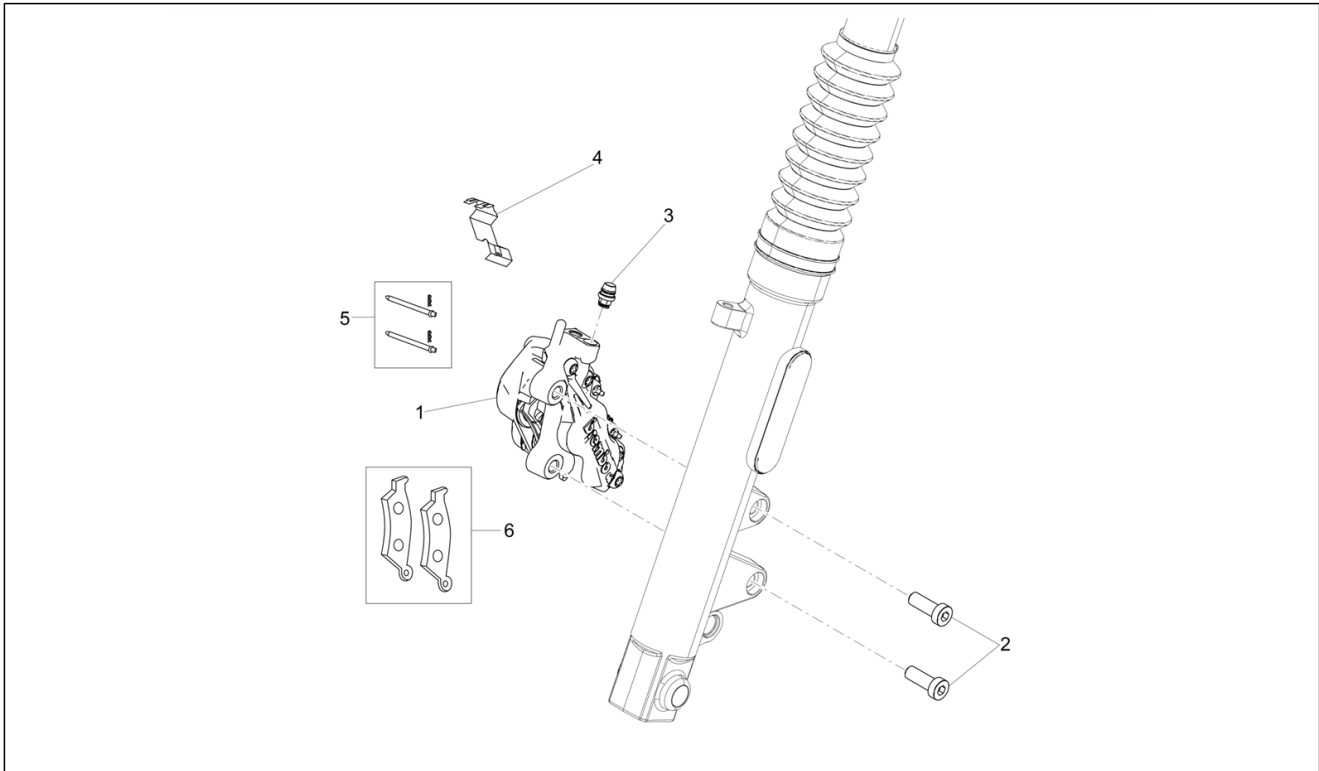
Pos.	Code	Description	Qty	Variants
1	2B0039395	Rear wheel	1	
2	2B0037025	Rear wheel hub	1	
3	GU92204218	Bearing	1	
4	GU27633910	Spacer	1	
5	GU92204217	Bearing	1	
6	GU90402538	Gasket ring 25x40x7	1	
7	883350	Short spoke	18	
8	883349	Long spoke mm 158	18	
9	GU03631250	Nipples	36	
10	GU14616150	Counterweight	1	
11	B063078	Rear wheel 3,5"x17" Black	1	
12	887448	Brake disc	1	
13	887762	Flanged TE screw M8x22	6	
14	GU32633360	Rear wheel spindle	1	
15	GU31634481	Washer	1	
16	GU92606316	Nut M16x1,5	1	
17	GU32632510	Rubber coupling	6	
18	GU28612033	Tyre flap	1	
19	1C001499	TBEI TORX screw M5x16 INOX	1	
20	GU30630430	Inner tube MD 17	1	
21	GU32636160	Support rubber part	1	
22	2B000225	Phonic wheel	1	
23	2B004972	Rear tyre 130\80 R17	1	
24	859792	ABS sensor	1	

Group	Brake system
Code	06.010
Description	Front master cilinder
Service	1



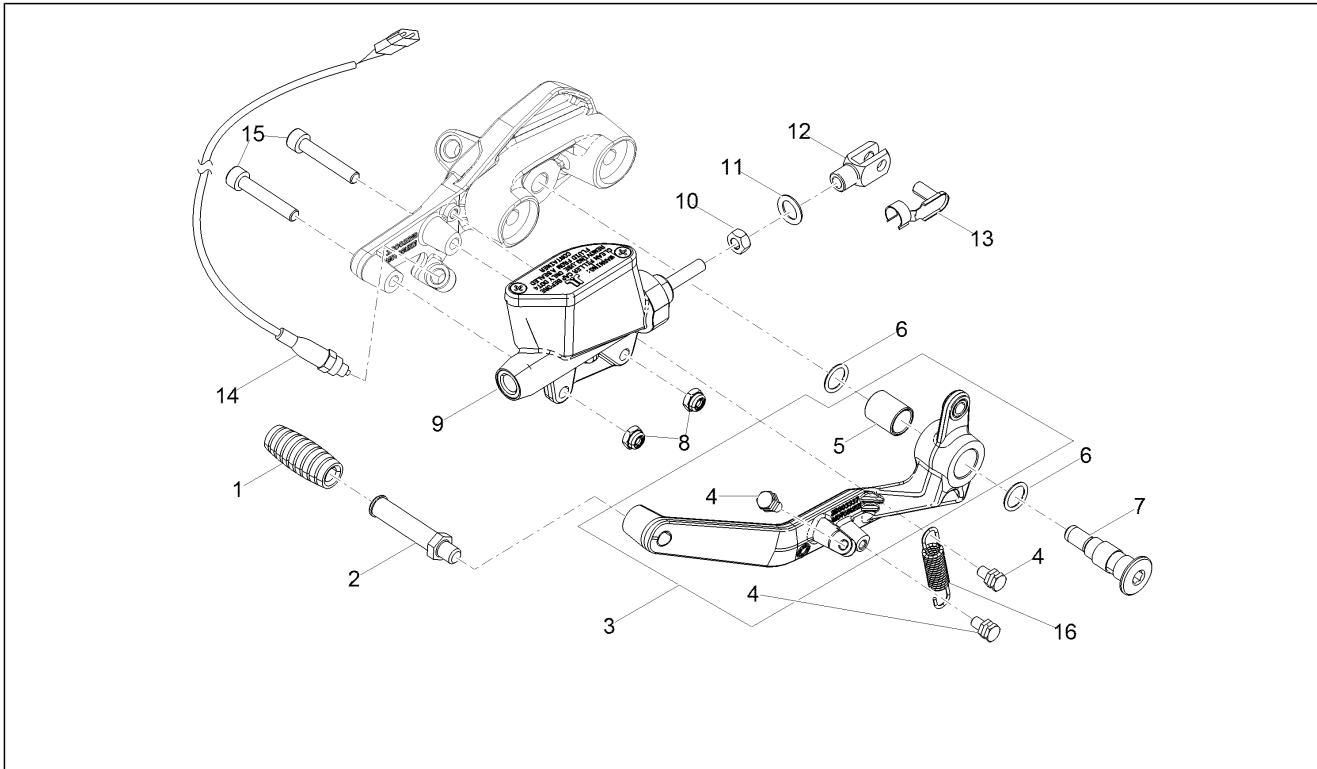
Pos.	Code	Description	Qty	Variants
1	2B003543	Front master cilinder	1	
2	2B003821	Brake lever	1	
3	2B003040	Replacement lever pivot complete with nut	1	
4	2B001930	Replacement front brake master cylinder sight glass	1	
5	2B003039	Replacement cap complete with membrane and screws	1	
6	2B003822	U-bolt	1	
7	GU03749845	Stop switch	1	
8	AP8152043	Hex socket screw M4x10	1	

Group	Brake system
Code	06.020
Description	Front brake caliper
Service	1



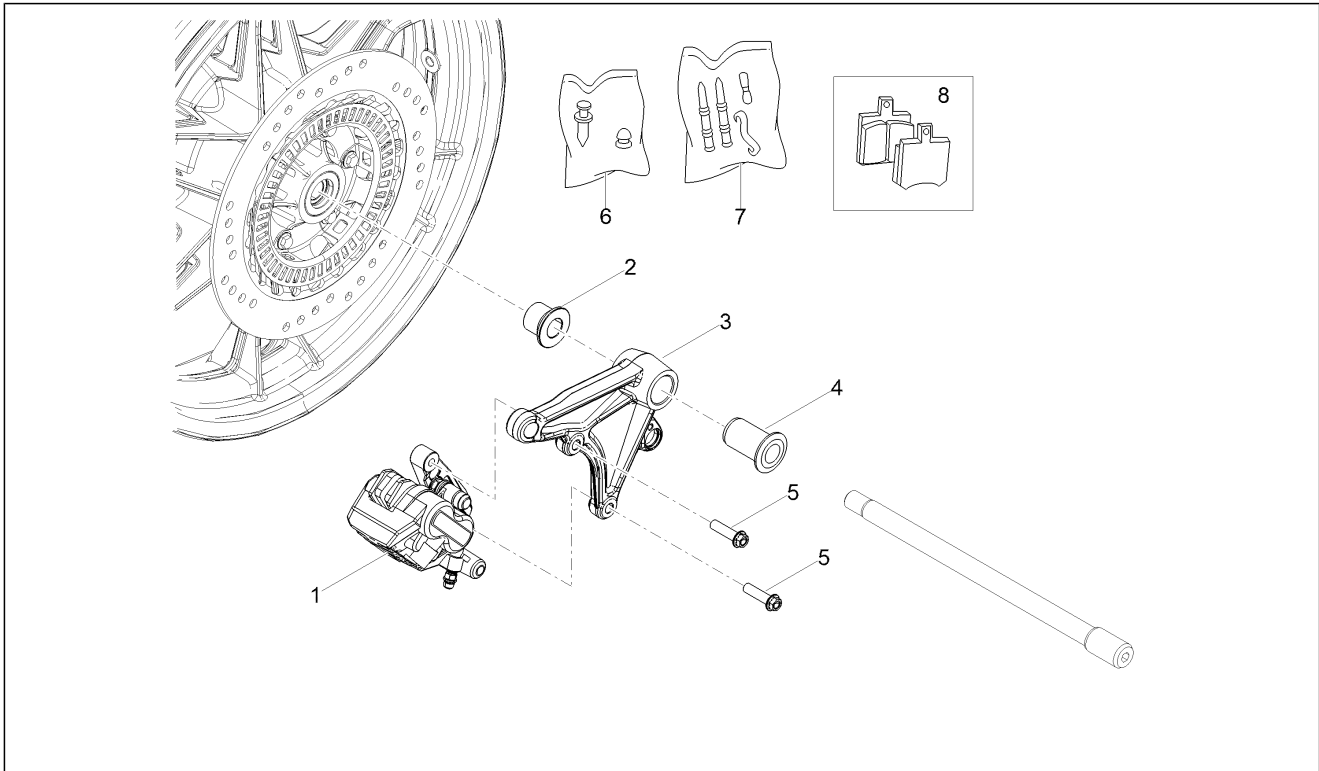
Pos.	Code	Description	Qty	Variants
1	2B001197	Front disk brake caliper l.h.	1	
2	AP8152385	Hex socket screw M10x1,25	2	
3	GU05659230	Bleeder+cap	1	
4	GU01659131	Spring	1	
5	GU01659130	Pins+Caliper springs	1	
6	883673	Pads pair	1	

Group	Brake system
Code	06.030
Description	Rear master cylinder
Service	1



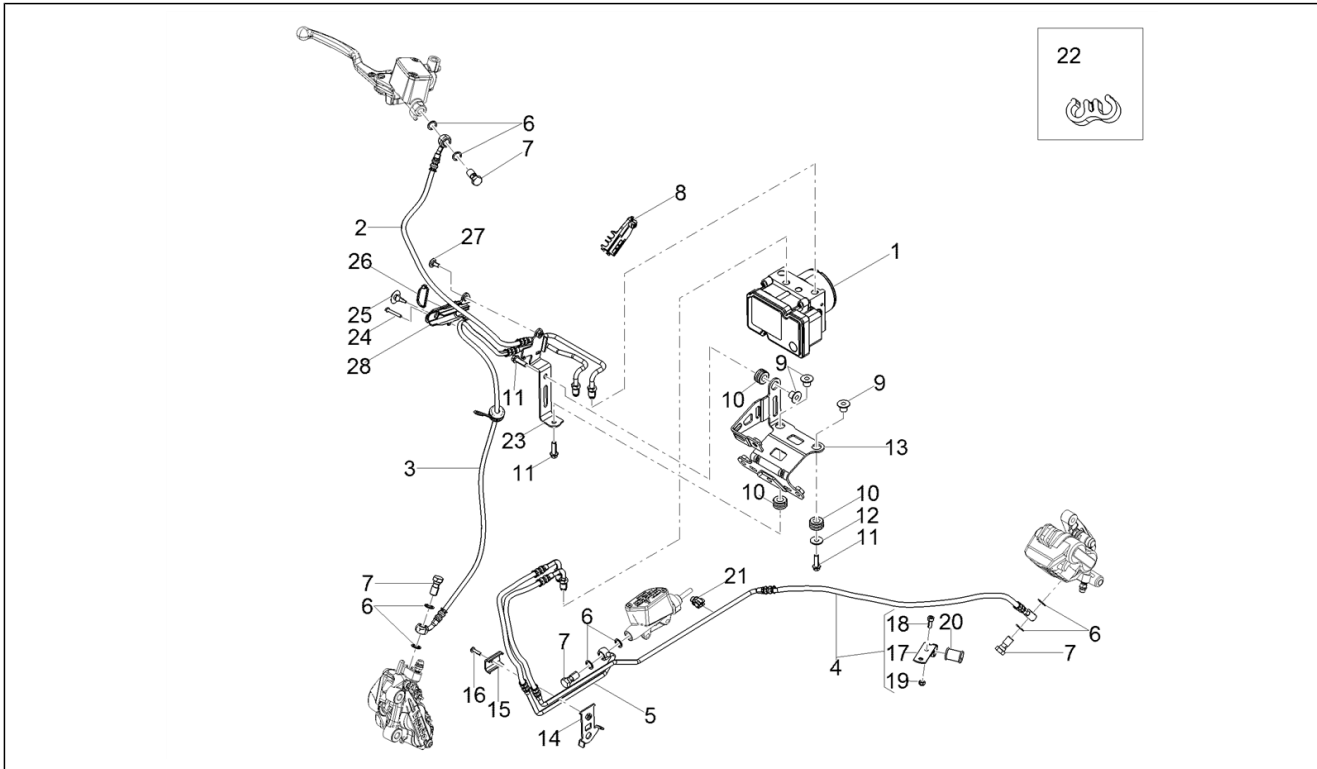
Pos.	Code	Description	Qty	Variants
1	AP8120912	Lever rubber	1	
2	887908	Rubber pedal	1	
3	2B003336	Rear brake control lever	1	
4	859946	Fixing pin	3	
5	895328	Sintered bushing	1	
6	AP8144007	O-ring 11,11x1,78	2	
7	884033	Lever pin	1	
8	GU92630206	Self-locking nut M6x1	2	
9	2B002189	Rear brake master cylinder with reservoir	1	
10	GU92606206	Nut	1	
11	AP8120178	O-ring OR112	1	
12	AP8113081	Fork	1	
13	AP8113082	Gear selector fork clips	1	
14	2D0002805	stop Button	1	
15	AP8150285	Hex socket screw M6x35	2	
16	AP8121927	Rear brake lever spring	1	

Group	Brake system
Code	06.040
Description	Rear brake caliper
Service	1



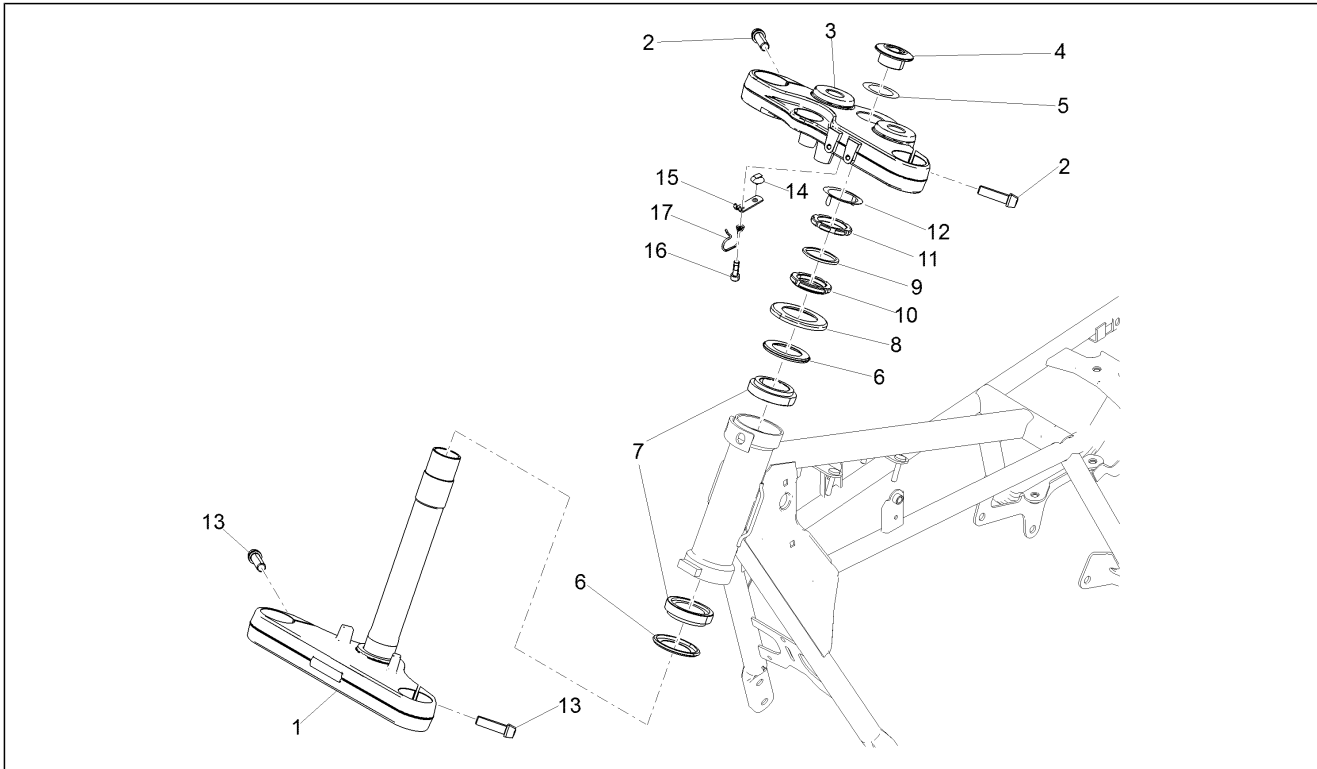
Pos.	Code	Description	Qty	Variants
1	2B000525	Rear brake caliper	1	
2	GU32634160	Spacer	1	
3	2B003338	Brake caliper support plate	1	
4	GU31634281	Bushing	1	
5	AP8152288	Screw w/ flange M8x30	2	
6	GU31659281	Bleeder+cap	1	
7	GU31659181	Pins+spring kit	1	
8	2R000248	Brake pads couple	1	

Group	Brake system
Code	06.050
Description	ABS Brake system
Service	1



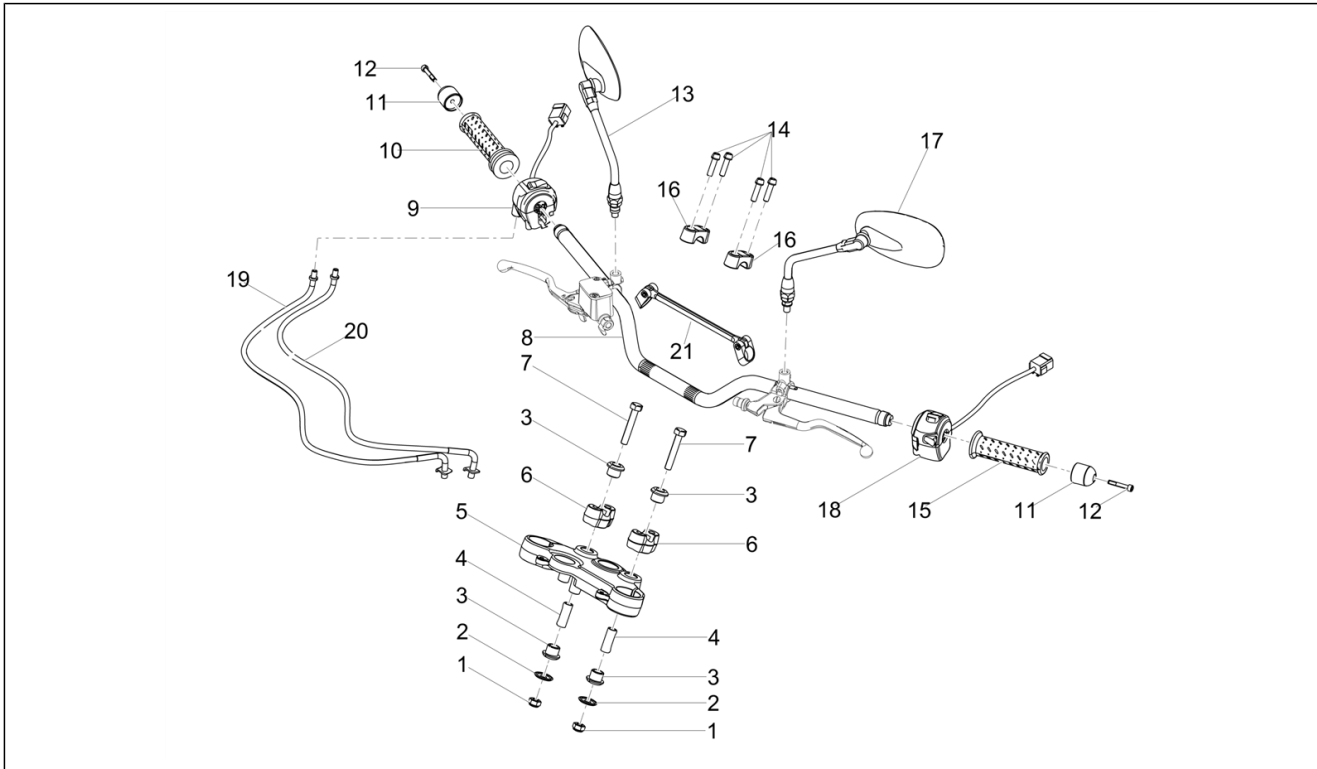
Pos.	Code	Description	Qty	Variants
1	2D000102	ABS control unit	1	
2	2B001557	ABS control unit front pump pipe	1	
3	2B001558	ABS control unit front clamp pipe	1	
4	2B003325	ABS control unit rear clamp pipe	1	
5	2B003327	ABS control unit rear pump pipe	1	
6	AP8113004	Washer 10x14x1,6*	8	
7	AP8113003	Oil pipe screw	4	
8	2B001570	Brake hose holder plate	1	
9	AP8221023	T bush	3	
10	AP8120030	Rubber spacer	3	
11	2B004560	M6x20 pre-coated hex head screw	3	
12	AP8150015	Washer 6,6x18x1,6*	2	
13	2B003056	Control unit sup. bracket	1	
14	2B001564	Brake hose holder plate	1	
15	2B001614	Pipe fixing plate	1	
16	AP8152043	Hex socket screw M4x10	1	
17	GU03658330	Hose clamp	1	
18	895709	Hex socket screw M5x12	1	
19	AP8150451	Low self-locking nut	1	
20	GU03658201	Ring	1	
21	AP8121882	Cable-guide	1	
22	2B000276	Staple	2	
23	2B004471	ABS pipe carrier	1	
24	AP8150500	Hex socket screw M5x9 NERINOX	1	
25	AP8120001	Rubber spacer	1	
26	AP8102386	Hose clamp 2,5x160	1	
27	AP8150500	Hex socket screw M5x9 NERINOX	1	
28	2B004458	ABS pipe guard	1	

Group	Handlebar - Controls
Code	07.010
Description	Steering
Service	1



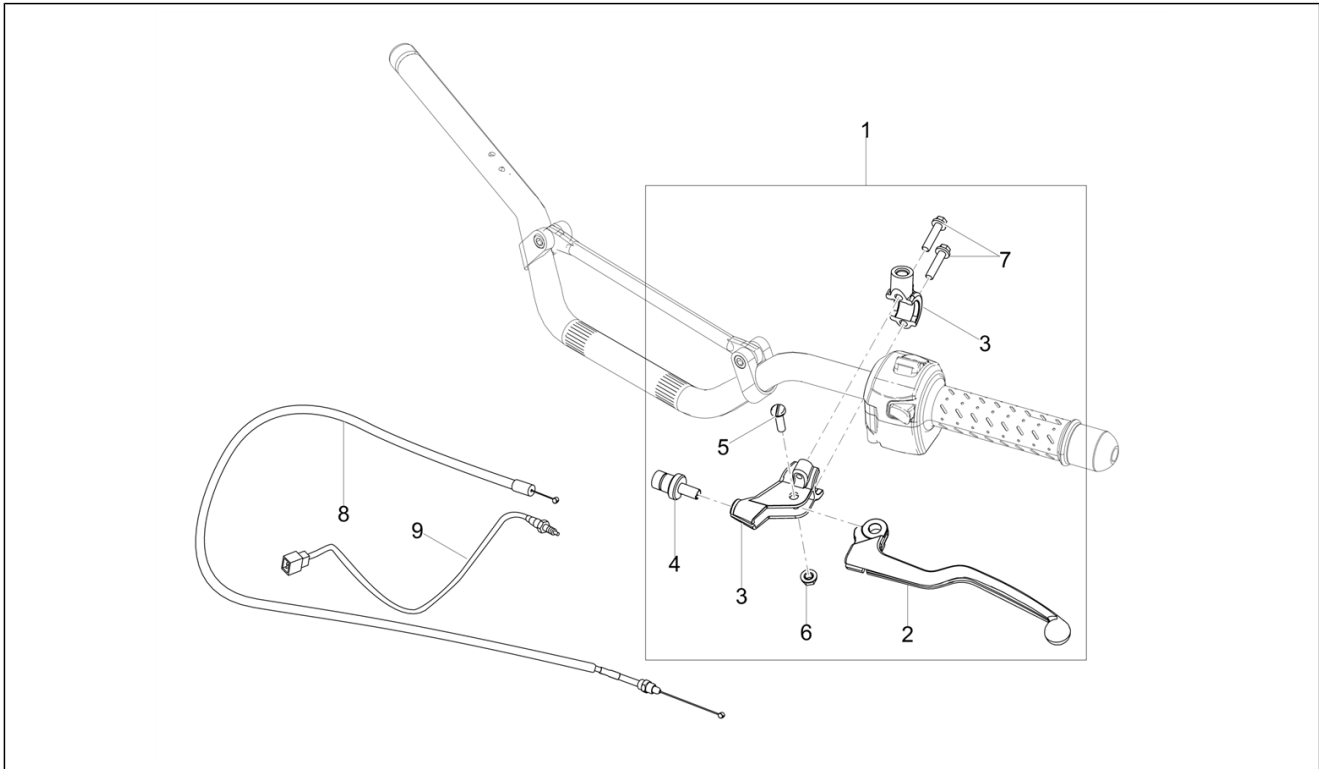
Pos.	Code	Description	Qty	Variants
1	2B003791	Fork lower plate	1	
2	AP8150543	Screw M8x35	2	
3	2B003250	Upper steering yoke	1	
4	AP8121205	Upper plate fixing bush	1	
5	AP8152384	Stem plug washer	1	
6	AP8123641	Dust cover ring	2	
7	AP8110077	Axial ball bearing	2	
8	AP8123644	Dust cover ring	1	
9	887831	Rubber spacer	1	
10	AP8123642	Ring nut	1	
11	AP8123643	Return ring nut	1	
12	887832	Steering security plate	1	
13	2B002313	Screw M10x35	2	
14	890760	Instrument support	1	
15	2B003292	Plate	1	
16	GU98210616	Screw w/ flange M6x16 inox	1	
17	2B003833	Fairlead	1	

Group	Handlebar - Controls
Code	07.020
Description	Handlebar - Controls
Service	1



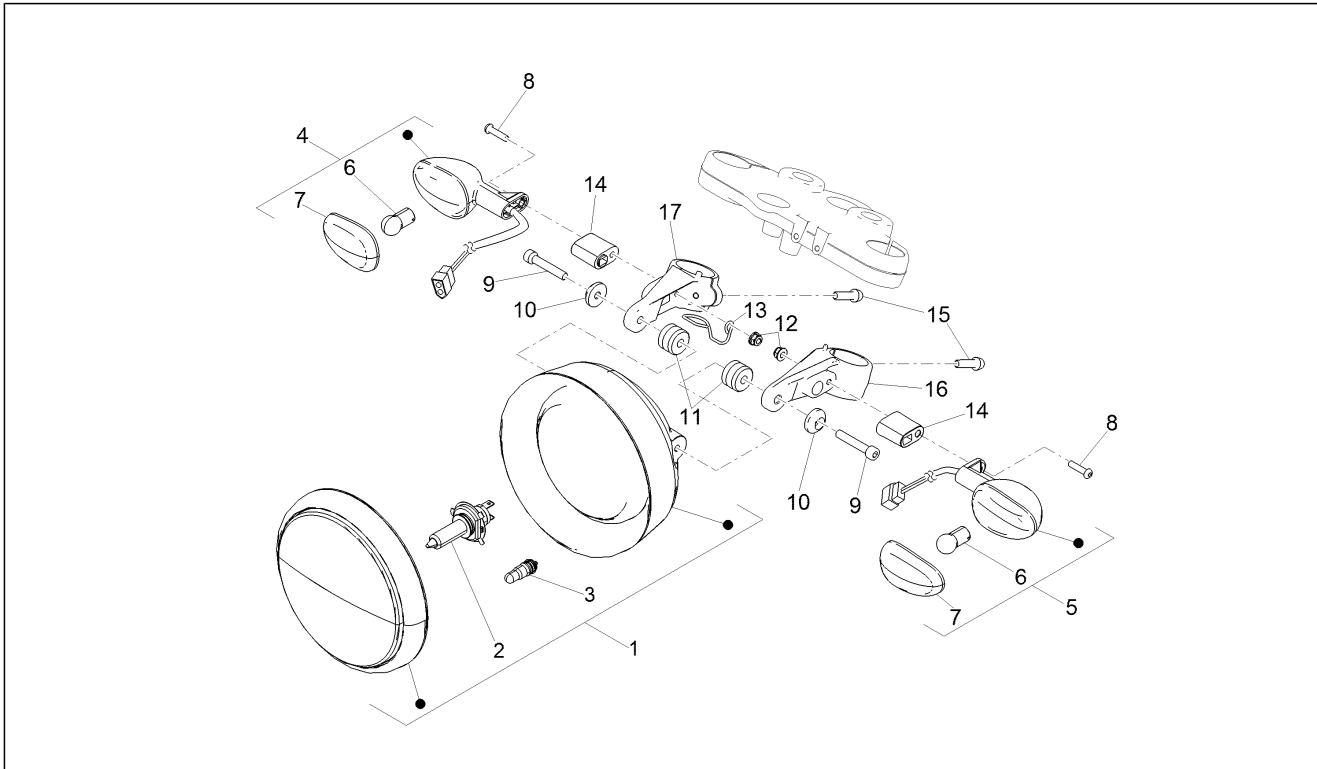
Pos.	Code	Description	Qty	Variants
1	887904	Nut	2	
2	2B002875	Cup	2	
3	887901	Rubber spacer	4	
4	887902	Spacer	2	
5	2B003250	Upper steering yoke	1	
6	2B004080	Lower U-bolt	2	
7	887915	screw M10x60	2	
8	2B000671	Handlebar	1	
9	2D000308	RH control set with mode selector	1	
10	GU32603310	RH hand grip	1	
11	AP8104509	Anti.v weight, black	2	
12	2B002195	Pre-coated IX M6X35 SHC screw	2	
13	2B003766	RH rearview mirror	1	
14	AP8150540	Screw	4	
15	GU32603010	LH hand grip	1	
16	2B004081	Upper U-bolt	2	
17	2B003767	LH rearview mirror	1	
18	2D000307	SX command	1	
19	887852	Gas trasmission delivery	1	
20	887853	Gas trasmission return	1	
21	2B004975	Crosspiece cpl.	1	

Group	Handlebar - Controls
Code	07.030
Description	Clutch control
Service	1



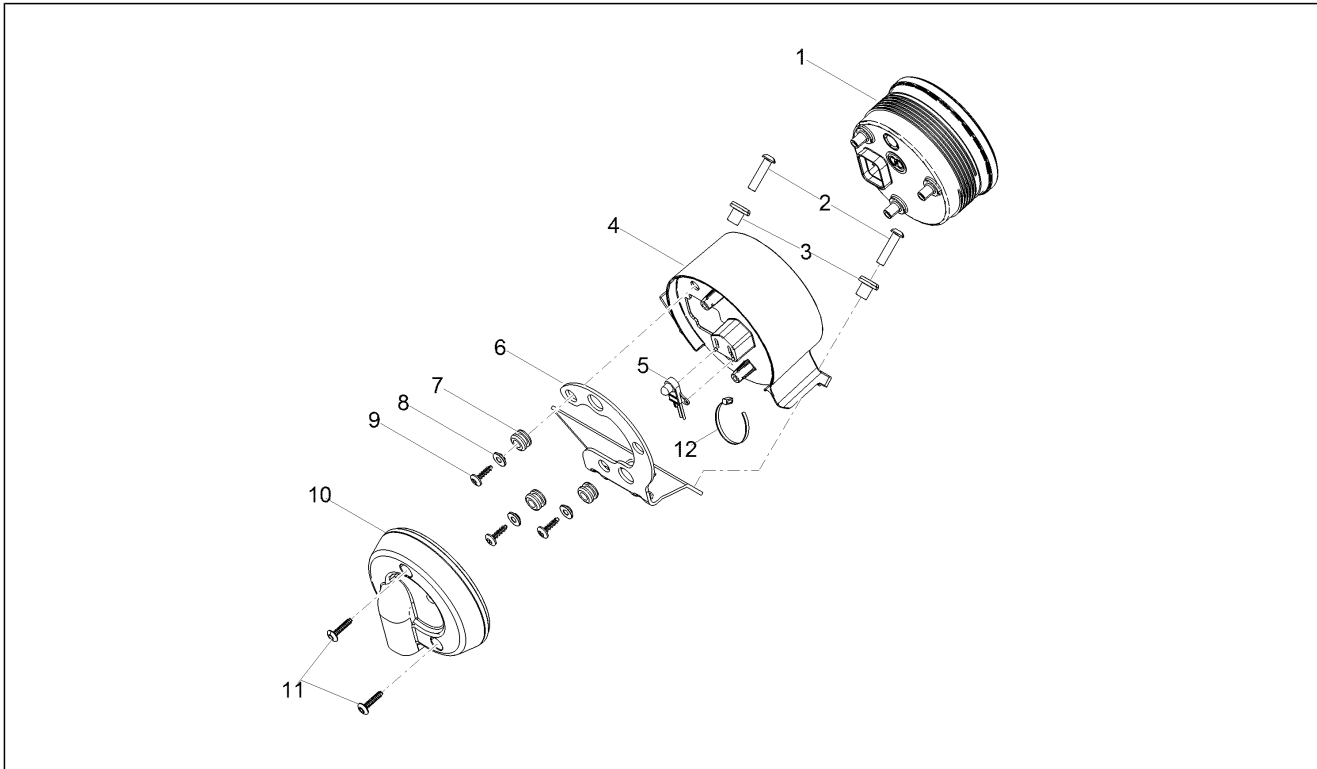
Pos.	Code	Description	Qty	Variants
1	2B002391	Clutch control lever set	1	
2	2B002390	Lever	1	
3	GU30601060	Clump	1	
4	GU30602500	Register	1	
5	AP8213028	screw	1	
6	AP8213388	Self-locking nut	1	
7	GU97202325	Black screw w/ flange M6x25	2	
8	2B002961	Clutch cable	1	
9	2D0002885	clutch switch	1	

Group	Lights - Instruments
Code	08.010
Description	Front lights
Service	1



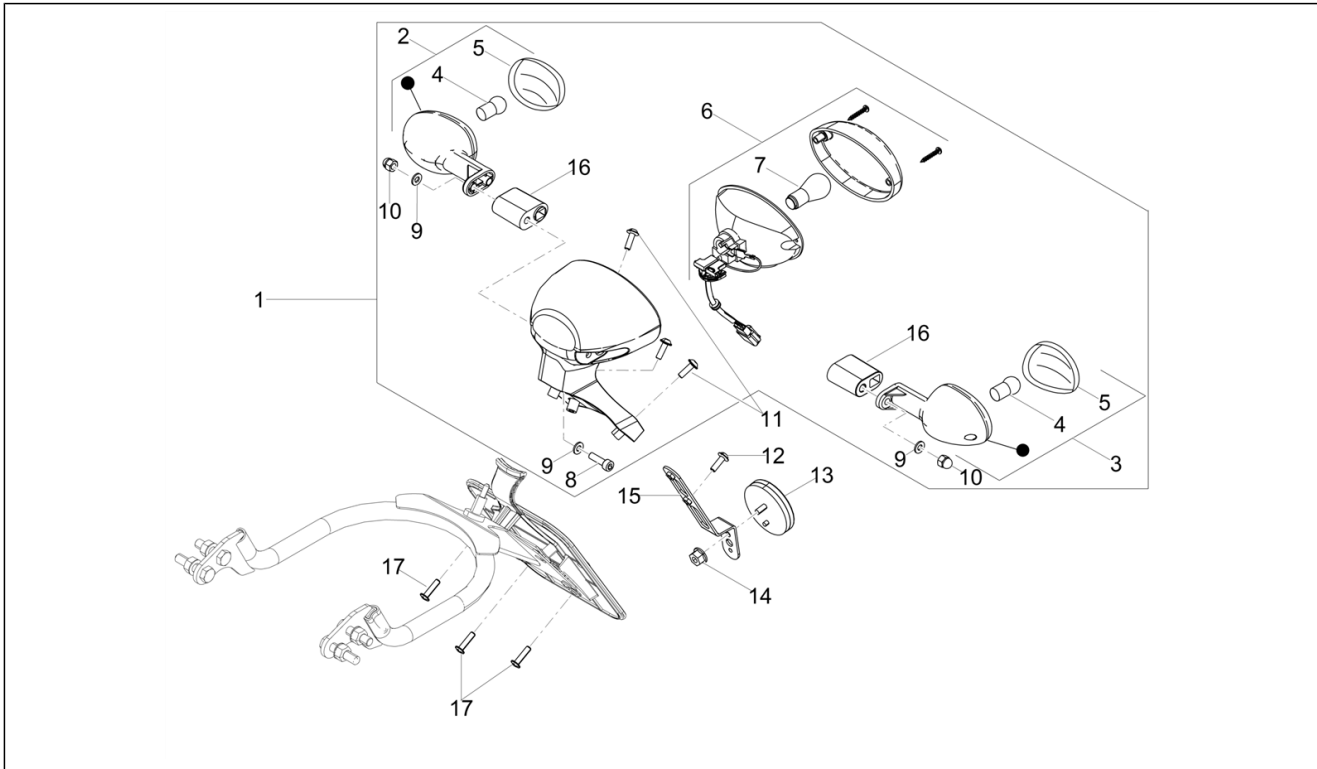
Pos.	Code	Description	Qty	Variants
1	2D000434	Headlight	1	
2	292723	Lamp H4 12V-60/55W	1	
3	292022	Lamp 12V-5W	1	
4	2D000261	Front right turn indicator	1	
5	2D000262	Front left turn indicator	1	
6	584332	Lamp 12V-10W	2	
7	639338	Turn indicator lens	2	
8	GU98690435	Hex socket screw M8x35	2	
9	GU98690445	screw M8x45	2	
10	AP8134378	Silencer fixing bush	2	
11	2B003342	Headlamp spacer	2	
12	AP8152299	Self-locking nut M6	2	
13	2B003832	Fairlead	1	
14	GU32753410	Spacer	2	
15	AP8150053	Hex socket screw M6x25	2	
16	2B001231	LH headlamp mount	1	
17	2B001182	RH headlamp mount	1	

Group	Lights - Instruments
Code	08.020
Description	Instruments
Service	1



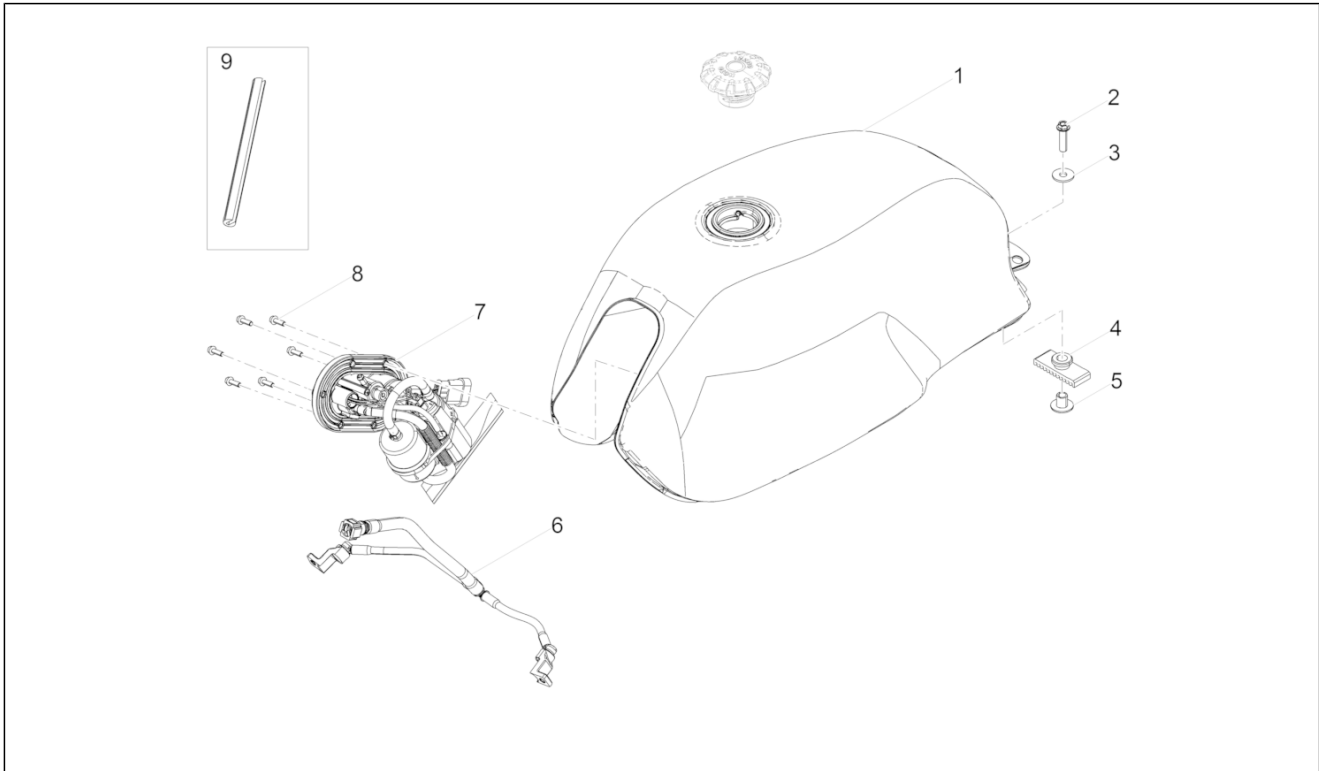
Pos.	Code	Description	Qty	Variants
1	2D000306	Dashboard D105 MPH	1	Country:Great Britain[UK]
1	2D000295	Instrument cluster, Km/h	1	Country:europe[EU]
2	AP8152117	TBEI M6x25 screw	2	
3	2B003851	T bushing	2	
4	2B003533	Upper cover	1	
5	AP8124936	Air temp. Sensor	1	
6	2B003588	Support plate	1	
7	2B003367	Fairlead	3	
8	2B004135	T bush	3	
9	270793	TBCIC Screw	3	
10	2B003534	Lower cover	1	
11	270793	TBCIC Screw	2	
12	GU49609601	Hose clamp 2,4x92	1	

Group	Lights - Instruments
Code	08.030
Description	Rear lights
Service	1



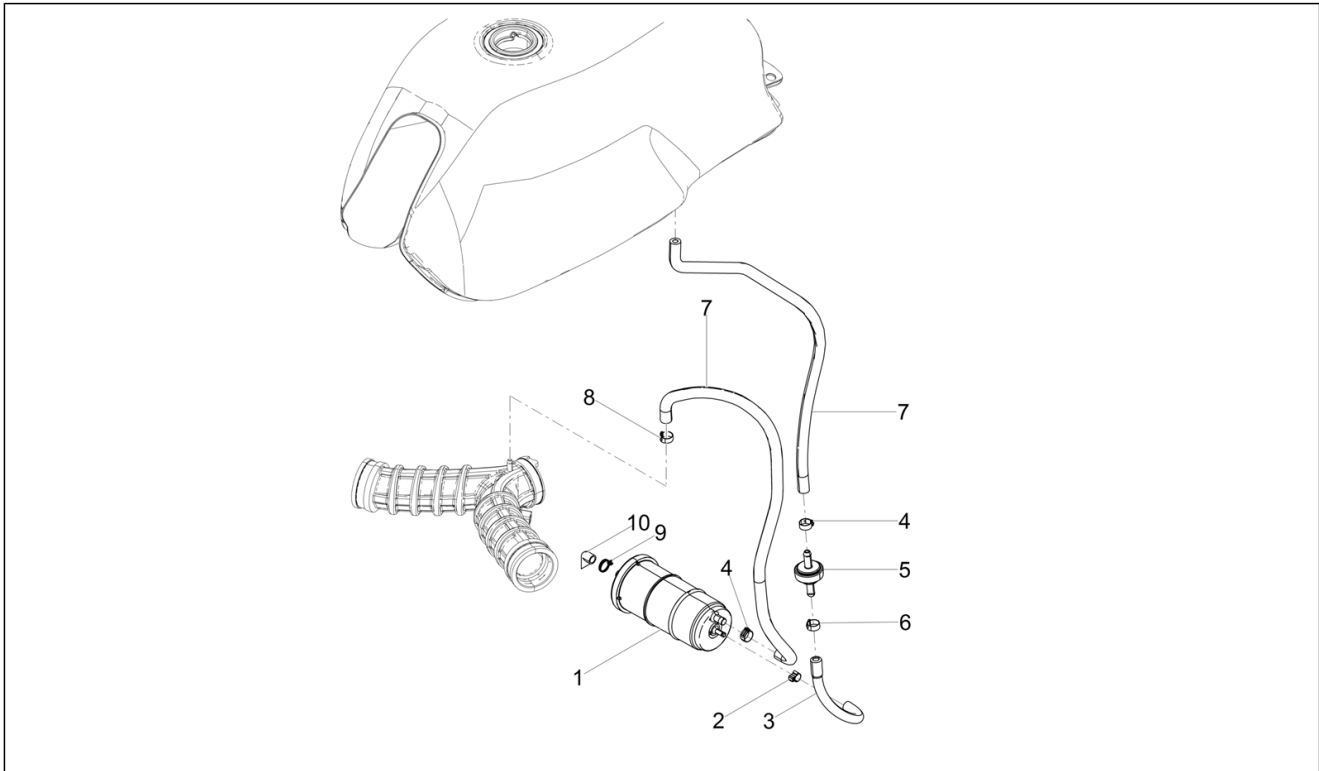
Pos.	Code	Description	Qty	Variants
1	2D0002935	Taillight assy	1	
2	2D000368	Right rear turn indicator	1	
3	2D000369	Left rear turn indicator	1	
4	584332	Lamp 12V-10W	2	
5	639338	Turn indicator lens	2	
6	2B001748	Taillight	1	
7	GU93450224	Lamp	1	
8	GU98370655	Hex socket screw M6X55	2	
9	GU95005306	Washer 6,4x13x1,5	4	
10	GU92787006	Cap nut M6x1	2	
11	AP8152298	Screw w/ flange M5x16	3	
12	AP8152268	Hex socket screw M5x16	2	
13	AP8224164	Rear reflector, red	1	
14	AP8152306	Self-locking nut M5	1	
15	AP8134448	Reflector support	1	
16	GU32753410	Spacer	2	
17	AP8152329	Phillips screw, SWP M5x20	3	

Group	Tank
Code	09.010
Description	Fuel tank
Service	1



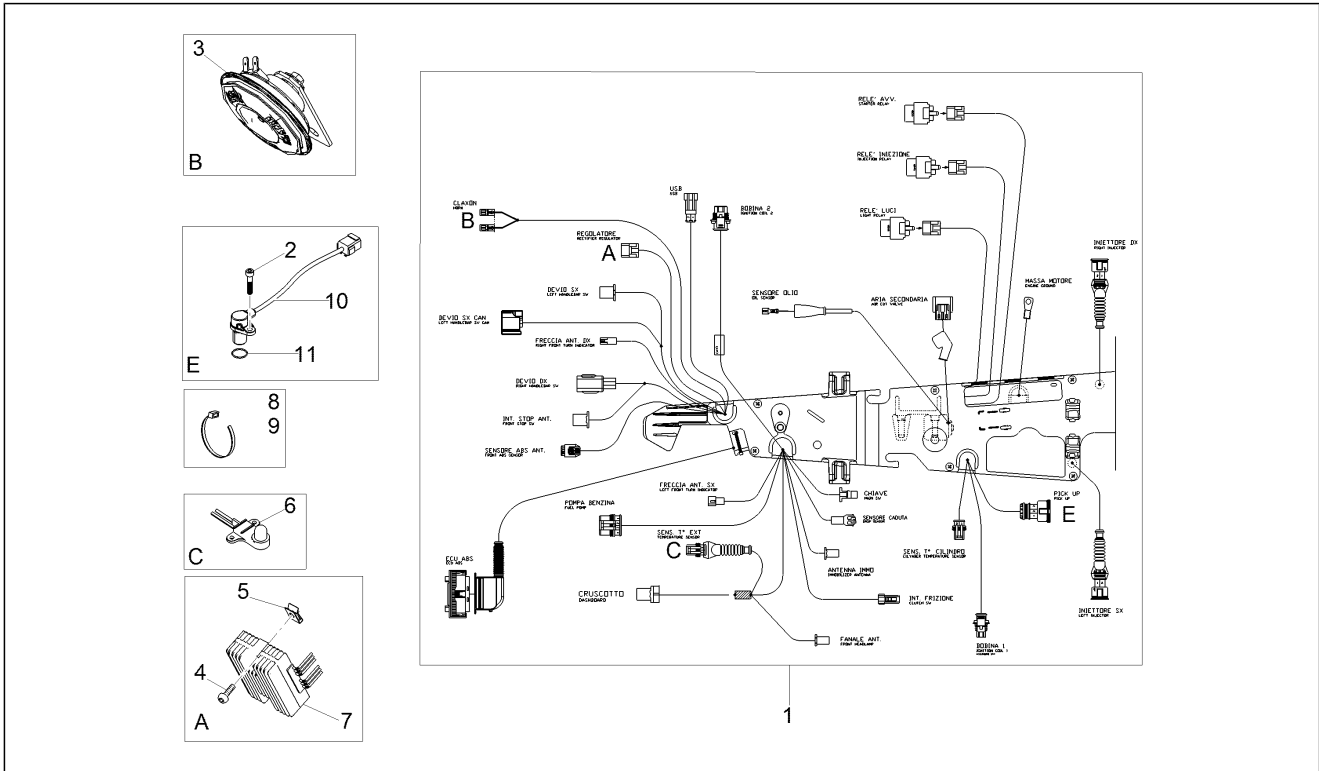
Pos.	Code	Description	Qty	Variants
1	2H002591500EQ	Fuel tank, painted, grey	1	
1	2B003435	Fuel tank blank	1	
2	AP8152288	Screw w/ flange M8x30	1	
3	GU95005312	Washer 8,5x24x2	1	
4	AP8120557	Tank rubber	1	
5	AP8121332	Bush	1	
6	2B002486	Fuel system pipes	1	
7	1D001450	Fuel pump	1	
8	2B002567	screw TEFL M5X16	6	
9	2B000909	Gasket	1	

Group	Tank
Code	09.020
Description	Fuel vapour recover system
Service	1



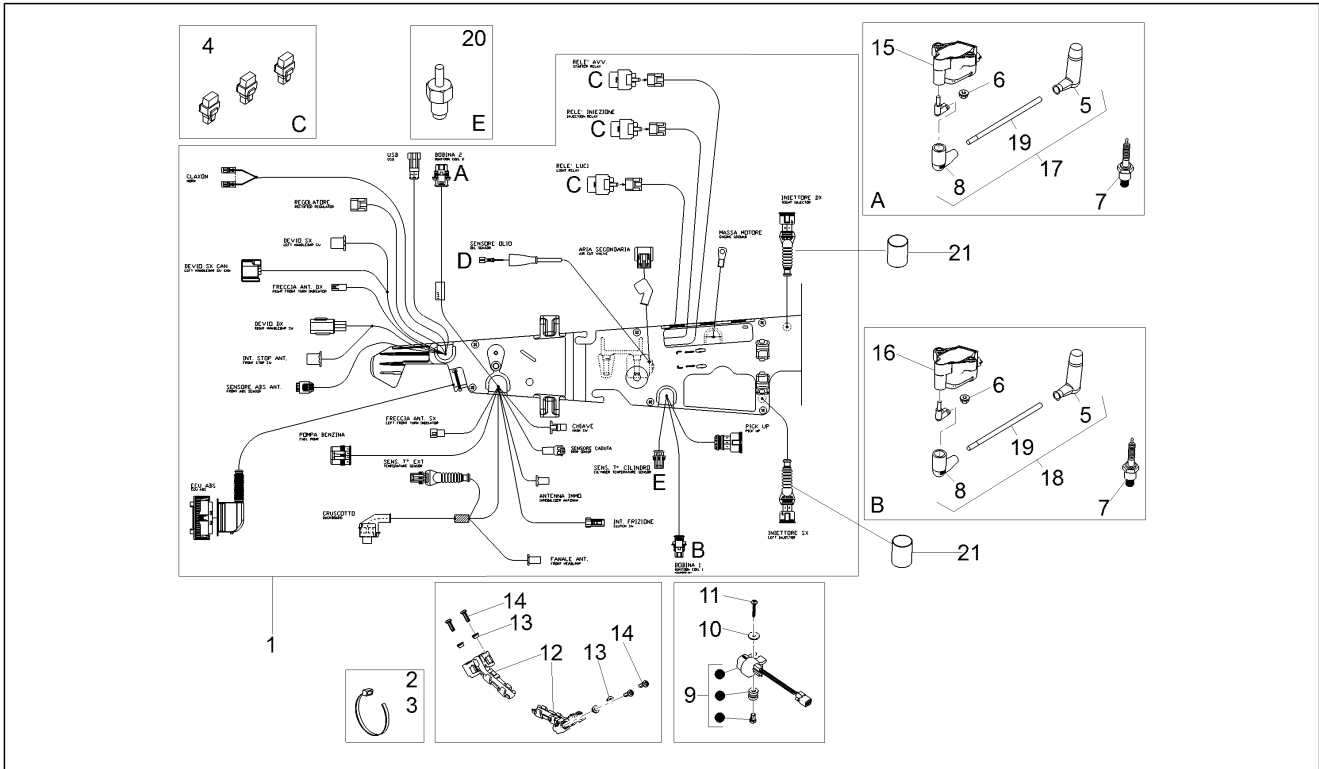
Pos.	Code	Description	Qty	Variants
1	2B002632	Canister	1	
2	AP8102738	Hose clamp	1	
3	2B003042	SAE 30 R12A-3/16 pipe	1	
4	AP8102239	Hose clamp 12,5x8	2	
5	CM179008	Safety valve	1	
6	AP8102159	Hose clamp	1	
7	856063	pipe SAE 30 d.12,7x6,35	2	
8	GU93304360	Hose clamp 7,6x380	1	
9	AP8102520	Hose clamp	1	
10	AP8127601	Ventilation plug	1	

Group	Electrical systems
Code	11.010
Description	Front electrical system
Service	1



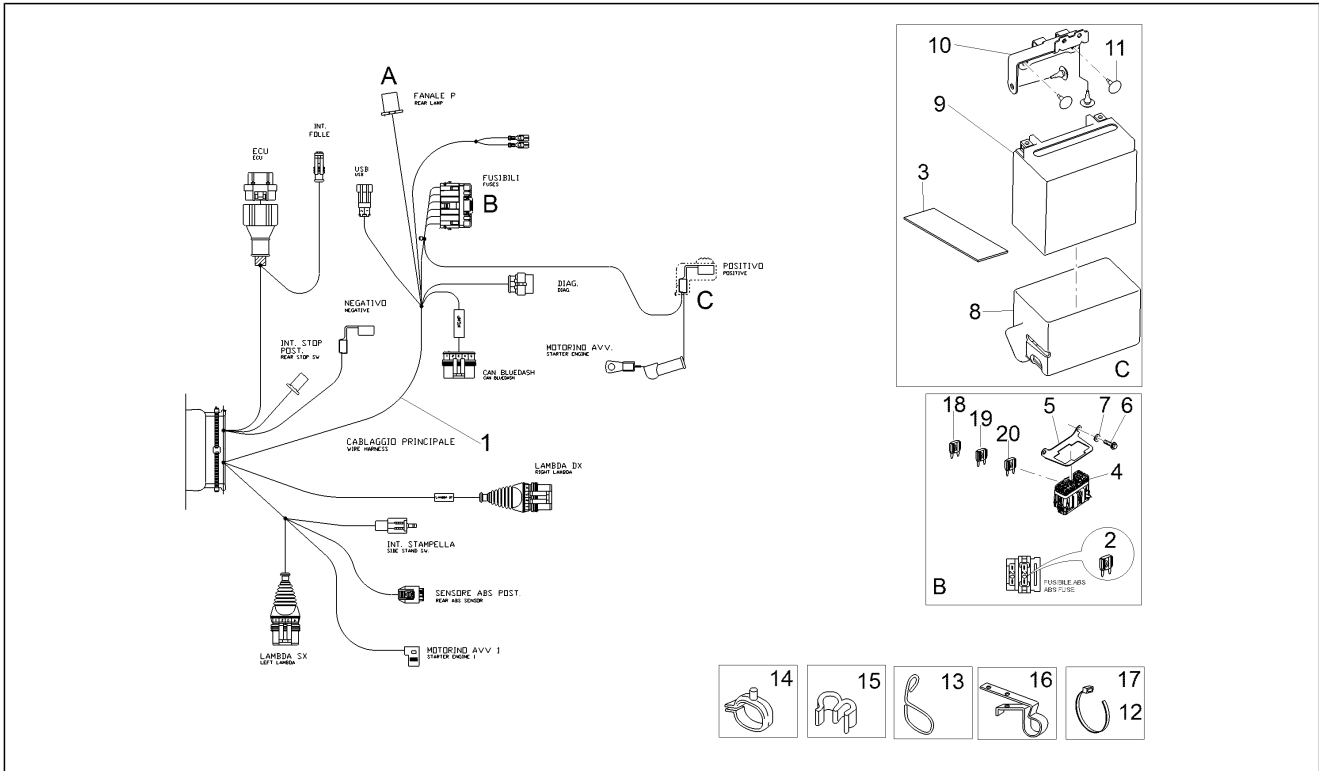
Pos.	Code	Description	Qty	Variants
1	2D000332	Main wiring harness	1	
2	GU98682314	Hex socket screw M6x14	1	
3	2B000221	Horn	1	
4	1C001499	TBEI TORX screw M5x16 INOX	1	
5	AP8102375	Clip M5	1	
6	AP8124936	Air temp. Sensor	1	
7	1D001549	Voltage regulator	1	
8	GU93304390	Hose clamp 3,6x375	2	
9	GU14609650	Hose clamp 3,6x20,6	24	
10	832029	Encoder sensor	1	
11	GU90706141	O-ring	1	

Group	Electrical systems
Code	11.020
Description	Central electrical system
Service	1



Pos.	Code	Description	Qty	Variants
1	2D000332	Main wiring harness	1	
2	GU49609601	Hose clamp 2,4x92	1	
3	GU14609650	Hose clamp 3,6x20,6	24	
4	AP8224462	Relay 12V-30A	3	
5	1A005382	Screened cap	2	
6	AP8152299	Self-locking nut M6	4	
7	887481	Spark plug NGK CPR8EB-9	2	
8	641040	Insulating cap	2	
9	680212	Fall sensor	1	
10	GU95005304	Washer 5,2x18x1,5	1	
11	478533	Self-tap screw	1	
12	2B002901	Spark plug cable retainer	2	
13	2B003052	T bushing	4	
14	1A003444	Oval head screw	4	
15	641901	HT coil	1	
16	642034	HT coil DX	1	
17	CM277101	HT wire (450 mm)	1	
18	CM277102	HT wire (580 mm)	1	
19	080341	H.V. cable	1	
20	887421	Temp. Sensor	1	
21	2D000355	Heat shrink cap	1	

Group	Electrical systems
Code	11.030
Description	Rear electrical system
Service	1



Pos.	Code	Description	Qty	Variants
1	2D000332	Main wiring harness	1	
2	CM225720	Fuse 20A	2	
3	AP8144552	Lat.battery support rubber	1	
4	584211	Fuse holder box	1	
5	883161	Fuse block support	1	
6	CM179302	Metric screw TBC	2	
7	GU95100059	Washer 5,25x14x1,5	2	
8	2B002781	Battery cowl	1	
9	638733	Battery Yuasa YTX14-BS 12V-12Ah (150x87x145)	1	
9	1R000319	Battery PTX14-BS 12V 12Ah (Piaggio)	1	
10	GU06418600	Battery fixing plate	1	
11	AP8120001	Rubber spacer	4	
12	GU93304390	Hose clamp 3,6x375	2	
13	AP8181140	Fairlead	1	
14	CM013202	Pipes/cables retainer spring	1	
15	894704	Fairlead	9	
16	B043850	Hose clamp	1	
17	GU14609650	Hose clamp 3,6x20,6	24	
18	CM225705	Fuse 5A	2	
19	CM225715	Fuse 15A	3	
20	CM225730	Fuse 30A	1	